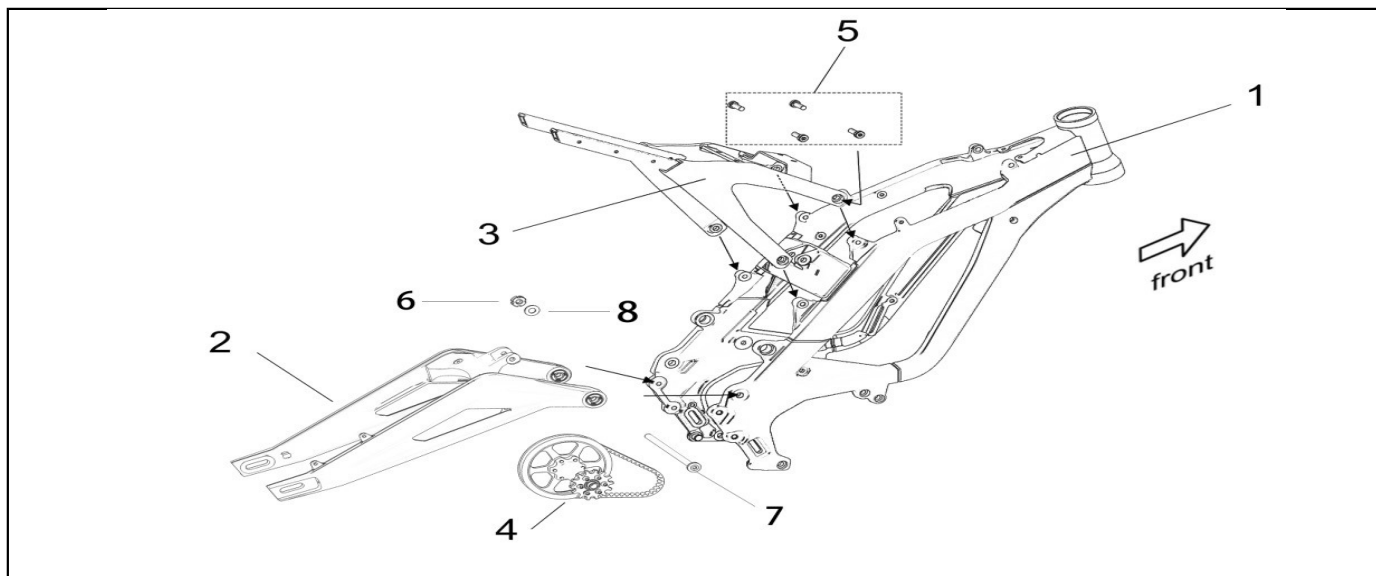


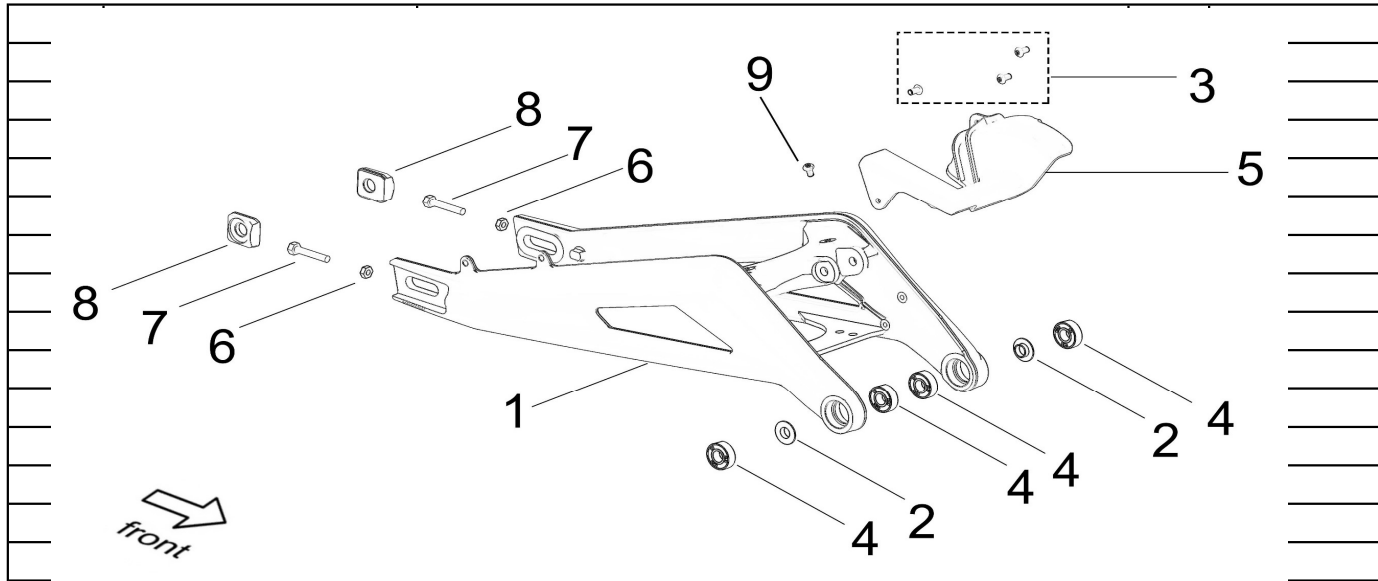
SPARE PARTS CATALOG OF LIGHT BEE & LIGHT BEE(X)

Illustration-01



ITEM	PARTS NO.	DESCRIPTION (EN)	QTY.	REMARKS
1_01	41100-YQ2A-0000	Frame Assy.	1	
1_02	61000-YQ2A-0000	Rear Fork Assy.	1	
1_03	41520-YQ2A-0000	Seat Frame Assy.	1	
1_04		Mid. Shaft Bush Assy.	1	
1_05	B1-009-08-020-F0	Screw (M8*20)	4	
1_06	B4-008-10-F0	Nut (M10*1.0)	1	
1_07	61260-YQ2A-0000	Rear Fork Mid. Shaft	1	
1_08	B4-001-10-F1	Washer (Φ10-Φ20-2)	1	

Illustration-02

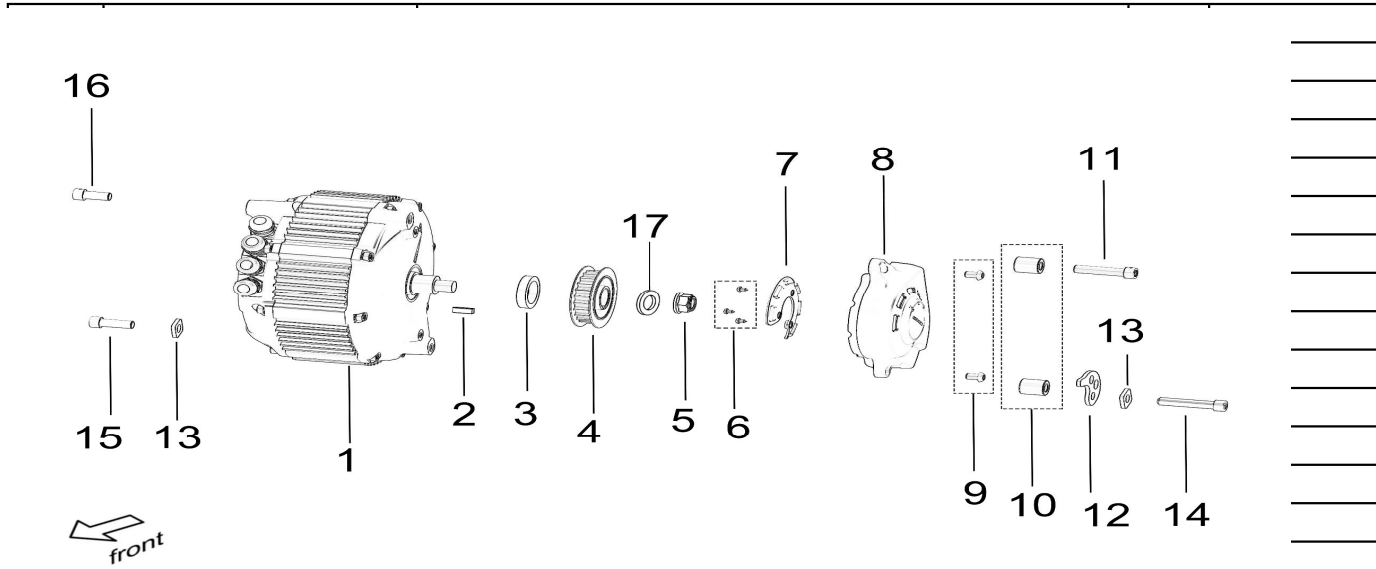


ITEM	PARTS NO.	DESCRIPTION (EN)	QTY.	REMARKS
2_01	61000-YQ2A-0000	Rear Fork Assy.	1	
2_02	FB05-005-10-15-22-2	Washer ($\Phi 10 * \Phi 15 * \Phi 22-2$)	2	
2_03	B3-002-05-010-F0	Screw (M5*10)	3	
2_04	Z-6000-2Z-26-10-08	Rear Fork Bearing	4	
2_05	32120-YQ2A-0000	Protection Cover, Mid. Shaft	1	
2_06	B2-001-06-F2	Tensioner Adjust Nut (M6)	2	
2_07	B1-004-06-035-F0	Tensioner Adjust Bolt (M6*35)	2	
2_08	61210-YQ2A-0000	Tensioner	2	
2_09	B3-002-05-010-F0	Wire Clip Fixing Screw (M5*10)	1	

Illustration-03

ITEM	PARTS NO.	DESCRIPTION (EN)	QTY.	REMARKS
3_01	26000-YQ2A-0300	60V/32Ah Battery	1	
3_02	21100-YQ2A-0100	Controller	1	
	21100-YQ2A-0201	X Controller (Sine Wave)	1	
3_03	B3-002-06-012-F0	Screw (M6*12)	4	
3_04	B3-002-05-010-F0	Screw (M5*10)	2	
3_05	21103-YQ2A-0000	Controller Upper Decoration Plate	1	
3_07	21700-YQ2A-0800	220V 10Ah Charger	1	For Australia
3_07	21700-YQ2A-1000	110V 10Ah Charger	1	For America
3_07	21700-YQ2A-1200	220V 10Ah Charger	1	For Europe
3_07	21700-YQ2A-1400	220V 10Ah Charger	1	For UK
3_08	B8-001-06-016-F2	Screw (M6*16)	5	

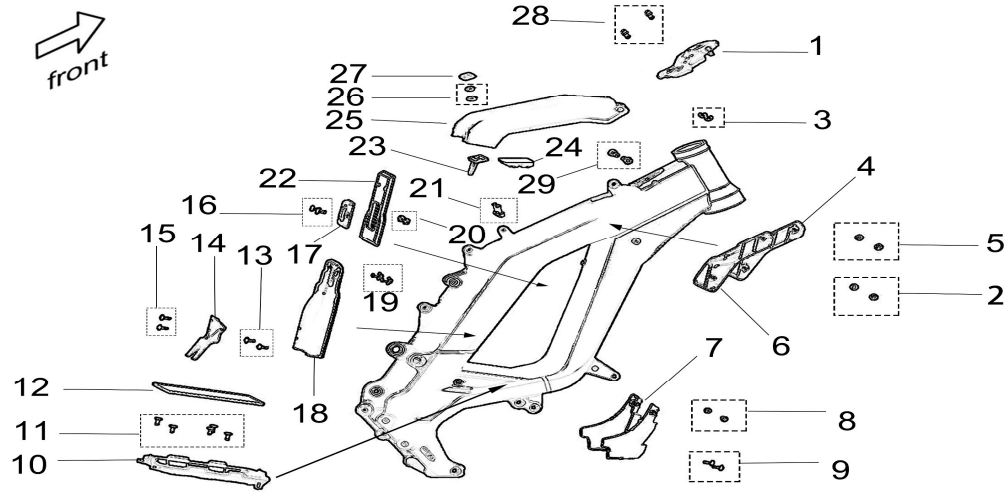
Illustration-04



ITEM	PARTS NO.	DESCRIPTION (EN)	QTY.	REMARKS
4_01	11000-YQ2A-0200	Motor Assy.	1	
	11000-YQ2A-0201	Motor Assy. (X Version)	1	
4_02	B7-001-25-35-7	Oil Seal	1	
4_03	B6-003-05-016	Plain Circular Bond (5*5*16mm)	1	
4_04	13201-YQ2A-0100	Fr. Belt Pulley	1	
	13211-YQ2A-0000	1st Transmission Sprocket 1 (13T)	1	Refitting Part
4_05	B2-006-12-F2	Locknut (M12*1.25)	1	
4_06	FB03-004-006-F2	Screw (PB3.5*6)	3	
4_07	32332-YQ2A-0000	Bush, Fr. Belt Pulley Protection Cover	1	
4_08	32331-YQ2A-0000	Protection Cover, Fr. Belt Pulley	1	
4_09	B3-002-06-010-F0	Bolt (M6*10)	2	
4_10	11216-YQ2A-0000	Motor Left Mounting Bush	2	
4_11	B3-001-08-040-F0	Bolt (M8*40)	1	
4_12	11171-YQ2A-0000	Motor Position Adjuster	1	

4_13	11172-YQ2A-0000	Motor Position Adjuster Pressure Plate	2	
4_14	B3-001-08-045-F0	Bolt (M8*45)	1	
4_15	B3-001-08-020-F0	Bolt (M8*20)	1	
4_16	B3-001-08-025-F0	Bolt (M8*20)	1	
4_17	FB05-002-23-12-1-F3	Washer (Φ24*Φ10*1.6-3)	1	

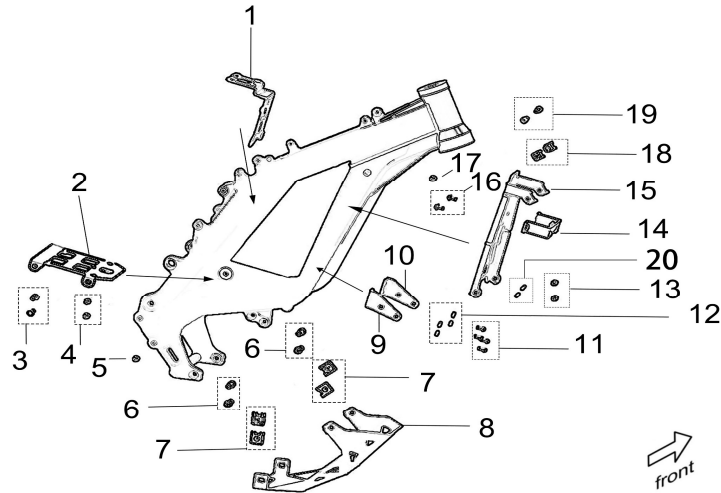
Illustration-05



ITEM	PARTS NO.	DESCRIPTION (EN)	QTY.	REMARKS
5_01	32340-YQ2A-0000	Decoration Cover, Electric Lock	1	
5_02	B3-003-05-010-F0	Screw (M5*10)	2	
5_03	B4-007-05-F1	Split Damping Ring (Inner Dia. Φ5)	2	
5_04	32356-YQ2A-0000	Battery Left Limitation Stop (Plastic)	1	
5_05	B3-003-05-010-F0	Screw (M5*10)	2	
5_06	32357-YQ2A-0000	Battery Right Limitation Stop (Plastic)	1	
5_07	32361-YQ2A-0000	Controller Lower Decoration Cover	1	
5_08	B3-002-06-010-F0	Screw A (M6*10)	2	
5_09	FB3-003-04-013-F3	Screw B (M4*13)	2	
5_10	32358-YQ2A-0000	Battery Lower Limitation Stop (Plastic)	1	
5_11	B3-003-05-012-F0	Screw (M5*12)	5	
5_12	26343-YQ2A-0000	Battery Lower Buffer Foam	1	
5_13	FB3-003-04-013-F3	Screw (M4*13)	2	
5_14	32365-YQ2A-0000	Small Fender, Belt Pulley (Plastic)	1	

5_15	FB3-003-04-013-F3	Screw (M4*13)	2	
5_16	B3-003-05-016-F0	Screw (M5*16)	2	
5_17	32353-YQ2A-0000	Back Up Block (Plastic)	1	
5_18	32355-YQ2A-0000	Rear Fender, Battery (Plastic)	1	
5_19	FB3-001-06-012-F0	Screw (M6*12)	2	
5_20	B2-006-05-F2	Nut (M5)	2	
5_21	B3-002-06-012-F0	Screw (M6*12)	2	
5_22	26341-YQ2A-0000	Fr. Damping Rubber Washer, Battery	1	
5_23	26290-YQ2A-0000	Lock Bracket Hook, Battery	1	
5_24	32233-YQ2A-0000	Buffer Rubber, Battery Compartment Cover	1	
5_25	32231-YQ2A-0000	Battery Compartment Cover (Plastic)	1	
5_26	B2-001-06-F2	Nut (M6)	2	
5_27	82124-YQ2A-0000	Decoration Label, Battery Compartment	1	
	82129-YQ2A-0000	Decoration Label, Battery Compartment (X Version)	1	
5_28	B3-002-06-012-F0	Screw (M6*12)	2	
5_29	41762-YQ2A-0000	Pin, Battery Compartment Cover	2	

Illustration-06



ITEM	PARTS NO.	DESCRIPTION (EN)	QTY.	REMARKS
6_01	32354-YQ2A-0000	Rear Back Up Block, Battery	1	
6_02	41690-YQ2A-0000	Lower Back Up Block, Battery	1	
6_03	FB3-001-06-016-F0	Screw A (M6*16)	2	
6_04	B3-001-06-010-F0	Screw B (M6*10)	2	
6_05	B4-009-06-014-F0	Motor Position Adjuster Limitation Pin (M6*14)	1	
6_06	B3-009-08-020-F0	Screw (M8*20)	4	
6_07	FB02-003-08-F2	Clip (M8)	4	
6_08	41750-YQ2A-0000	Motor Protection Cover	1	
6_09	41740-YQ2A-0000	Lower Right Mounting Bracket, Controller	1	
6_10	41730-YQ2A-0000	Lower Left Mounting Bracket, Controller	1	
6_11	B3-002-06-010-F0	Screw (M6*10)	4	
6_12	B4-002-06-F2	Washer (Φ6)	4	
6_13	B3-001-06-012-F0	Screw (M6*12)	2	
6_14	41710-YQ2A-0000	Upper Mounting Bracket, Controller	1	

6_15	41670-YQ2A-0000	Front Fender, Battery	1	
6_16	B3-002-06-012-F0	Screw (M6*12)	2	
6_17	B3-002-05-010-F0	Screw (M5*10)	1	
6_18	FB02-001-06-F2	Clip (M6)	2	
6_19	B3-001-06-016-F0	Screw (M6*16)	2	
6_20	B4-002-06-F2	Spring Washer	2	

Illustration-07

ITEM	PARTS NO.	DESCRIPTION (EN)	QTY.	REMARKS
7_01	51231-YQ2A-0000	Rear Tire	1	
	51231-YQ2A-0010	Rear Tire (With E-Mark)	1	
7_02	51232-YQ2A-0000	Rear Inner Tube	1	
	51232-YQ2A-0010	Rear Inner Tube (With E-Mark)	1	
7_03	51266-YQ2A-0000	Rim Band	1	
7_04	51271-YQ2A-0100	Rear Rim	1	
7_05	13204-YQ2A-0000	Sprocket (48T)	1	
	13204-YQ2A-0200	Sprocket (58T)	1	Refitting Part
7_06	B3-001-08-016-F0	Screw (M8*16)	5	
7_07	51311-YQ2A-0000	Rear Wheel Hub	1	
7_08	52271-YQ2A-0000	Rear Brake Disc	1	
7_09	52280-YQ2A-0000	Rear Brake Clip Bracket	1	
7_10	51350-YQ2A-0000	Rear-Wheel Axle	1	
7_11	51362-YQ2A-0000	Rear-Wheel Left Setback Bushing	1	

7_12	FB3-006-06-013-F3	Screw (M6*13)	6	
7_13	51361-YQ2A-0000	Rear-Wheel Right Setback Bushing	1	
7_14	B2-006-12-F2	Nut (M12*1.25)	1	
7_15	51390-YQ2A-0000	Spoke Assy.	36	
7_16	B7-001-20-37-7	Oil Seal (Φ20-Φ37-7)	2	
7_17	Z-6202-35-15-11	Bearing (Φ15*Φ35*11)	2	
7_18	51363-YQ2A-0000	Rear-Whel Hub Inner Bushing	1	

Illustration-8

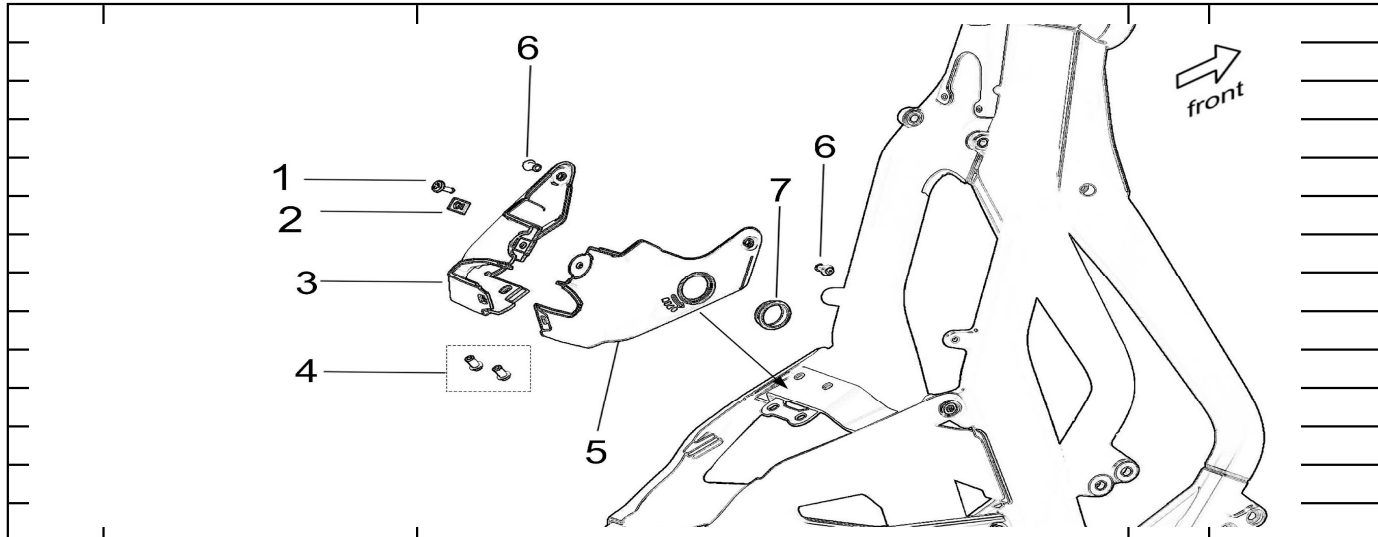
ITEM	PARTS NO.	DESCRIPTION (EN)	QTY.	REMARKS
8_01	22100-YQ2A-0100	Headlight Assy.	1	
8_02	41330-YQ2A-0101	Bracket Assy., Headlight	1	
8_03	B2-006-06-F2	Nut (M6)	1	
8_04	25100-YQ2A-0100	Speedometer	1	
8_05	23200-YQ2A-0000	Left Combination Switch	1	
8_06	24600-YQ2A-0000	USB Interface	1	
8_07	27260-YQ2A-0000	Electric Lock	1	
8_09	29310-NM1A-0000	Horn	1	
8_11	B1-008-06-016-F2	Screw A (M6*16)	1	
8_14	27500-YQ2A-0000	Battery Compartment Lock	1	
8_15	41660-YQ2A-0000	Tail Lamp Mounting Bracket	1	
8_16	22200-YQ2A-0000	Tail Lamp	1	
8_17	FB3-003-04-013-F3	Screw (M4*13)	2	
8_18	41571-YQ2A-0000	Magneto Sensor, Side Stand Stop Switch	1	

8_19	23410-YQ2A-0000	Side Stand Stop Switch	1	
8_20	23700-NM1A-0000	Acceleration Controller	1	
8_21	FB3-003-04-013-F3	Converter Mounting Screw	2	
8_22	B3-006-002-F1	Screw (ST2.9*9.5)	2	
8_23	FB01-003-06-016-F2	Screw (M6*16)	1	
8_25	FB3-003-04-013-F3	Screw (M4*13)	2	
8_26	21300-YQ2A-0000	Converter Assy.	1	
8_27	B3-001-06-016-F0	Screw (M6*16)	1	
8_28	B2-006-05-F2	Nut (M5)	2	
8_29	B4-001-06-F1	Plain Washer (Φ6)	1	
8_30	B4-001-04-F1	Plain Washer (Φ4)	2	
8_31	B4-001-04-F1	Plain Washer (Φ4)	2	

Illustration-9

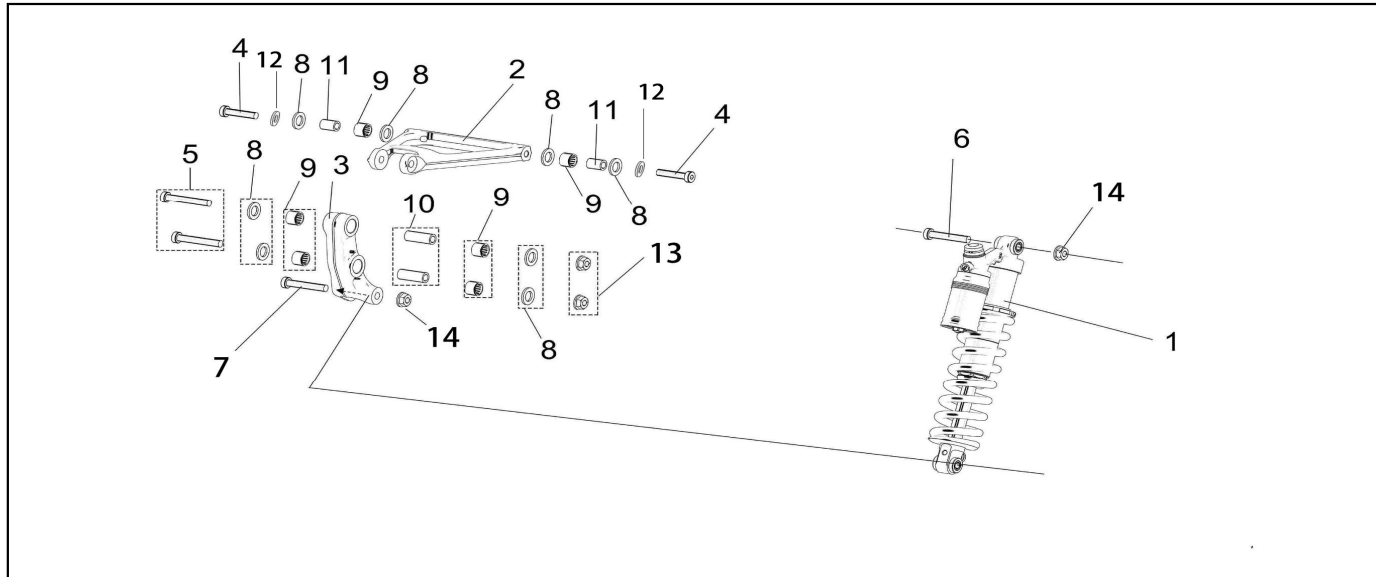
ITEM	PARTS NO.	DESCRIPTION (EN)	QTY.	REMARKS
9_01	32300-YQ2A-0000	Seat (Plastic)	1	
9_02	31321-YQ2A-0000	Rear Fender (Plastic)	1	
9_03	31340-YQ2A-0000	Rear Fender Inner Plate (Plastic)	1	
9_04	B2-012-06-F2	Nut (M6)	4	
9_05	B5-004-R5075	Screw, Rear Fender Inner Plate	8	
9_06	B4-001-6-F1	Plain Washer (Φ6)	4	

Illustration-10



ITEM	PARTS NO.	DESCRIPTION (EN)	QTY.	REMARKS
10_01	B3-006-003-F1	Screw (ST4.2*13)	1	
10_02	FB04-001-04-F2	Clip (M4)	1	
10_03	32351-YQ2A-0000	Left Decoration Cover, Battery Lock Bracket (Plastic)	1	
10_04	FB3-001-06-012-F0	Screw B (M6*12)	2	
10_05	32352-YQ2A-0000	Right Decoration Cover, Battery Lock Bracket (Plastic)	1	
10_06	B3-002-06-010-F0	Screw A (M6*10)	2	
10_07	27516-YQ2A-0000	Decoration Ring, Battery Compartment Lock	1	

Illustration-11



ITEM	PARTS NO.	DESCRIPTION (EN)	QTY.	REMARKS
11_01	55110-YQ2A-0000	Rear Absorber (FAST 350LB)	1	
	55110-YQ2A-0200	Rear Absorber (DNM 350LB)	1	
	55110-YQ2A-0100	Rear Absorber (FAST 450LB)	1	
	55110-YQ2A-0300	Rear Absorber (DNM 450LB)	1	
11_02	55148-YQ2A-0000	Rear Absorber Connection Rod	1	
11_03	55141-YQ2A-0000	Rear Absorber Rock Arm	1	
11_04	B3-001-08-035-F2	Bolt (M8*35)	2	
11_05	B3-001-08-055-F2	Rear Absorber Rock Arm Mounting Axle (Half-Thread L55-M8)	2	
11_06	B3-001-08-050-F2	Screw (Half-Thread L50-M8)	1	
11_07	B3-001-08-045-F2	Screw (Half-Thread L45-M8)	1	
11_08	55163-YQ2A-0000	Nylon Washer (Φ12-Φ20-2)	8	
11_09	Z-HK1212-16-12-12	Rock Arm Bearing	6	
11_10	55142-YQ2A-0000	Rock Arm Bushing	4	
11_11	55162-YQ2A-0000	Connection Rod Bushing	2	

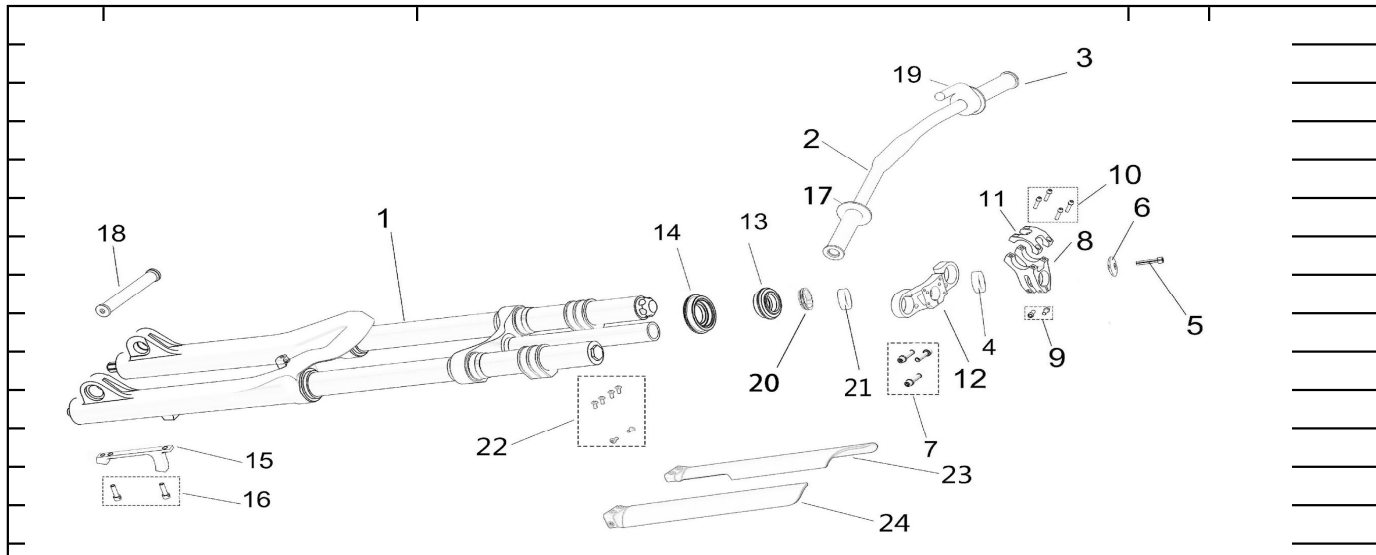
11_12	B4-001-08-F1	Plain Washer (Φ8)	2	
11_13	B2-006-08-F2	Nut (M8)	2	
11_14	B2-006-08-F2	Nut (M8)	2	

Illustration-12

ITEM	PARTS NO.	DESCRIPTION (EN)	QTY.	REMARKS
12_01	42211-YQ2A-0000	Right Foot Peg	1	
12_02	42212-YQ2A-0000	Right Foot Peg Bracket	1	
12_03	42111-YQ2A-0000	Left Foot Peg	1	
12_04	42122-YQ2A-0001	Left Foot Peg Bracket	2	
12_05	42116-YQ2A-0000	Foot Peg Mounting Pin	2	
12_06	B4-001-08-F1	Foot Peg Plain Washer (Φ8)	2	
12_07	B4-007-06-F1	Foot Peg Clip Spring Reed (Inner Dia. Φ6)	2	
12_08	B4-008-04-012-F0	Position Pin (Φ4*12)	4	
12_09	B2-006-10-F2	Nut (M10*1.25)	2	
12_10	41556-YQ2A-0000	Side Stand Bracket Spring	1	
12_11	B3-001-08-020-F0	Screw (M8*20)	4	
12_12	41550-YQ2A-0000	Side Stand	1	
12_13	41559-YQ2A-0000	Screw (M8*30)	1	
12_14	41554-YQ2A-0000	Side Stand Spring Pin A	1	

12_15	B2-006-08-F2	Nut (M8)	1	
12_16	41555-YQ2A-0000	Side Stand Spring Pin B	1	
12_17	FB05-004-10-F0	Washer ($\Phi 24 * \Phi 10 - 0.5$)	1	
12_18	42112-YQ2A-0000	Left Foot Peg Bracket	1	
12_19	42115-YQ2A-0000	Foot Peg Return Spring	2	

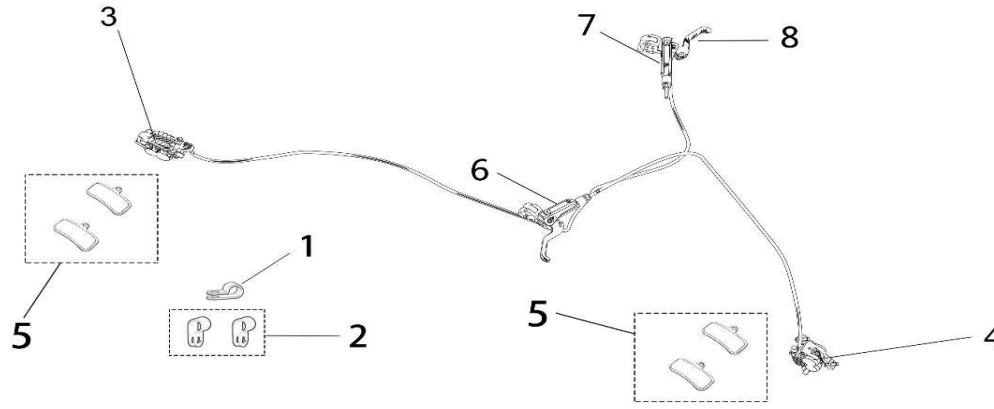
Illustration-13



ITEM	PARTS NO.	DESCRIPTION (EN)	QTY.	REMARKS
13_01	51000-YQ2A-0000	Fr. Absorber Assy. (RST)	1	
	51000-YQ2A-0200	Fr. Absorber Assy. (FAST)	1	
	51000-YQ2A-0300	Fr. Absorber Assy. (DNM)	1	
13_02	51150-YQ2A-0000	Steering Bar	1	
	51150-YQ2A-0100	Steering Bar (X Version)	1	
13_03	23820-YQ2A-0001	Right Handle Grip	1	
	23820-YQ2A-0100	Right Handle Grip (X Version)	1	
13_04	51195-YQ2A-0000	Handle Bar Stem Washer (RST)	2	
	51195-YQ2A-0000	Handle Bar Stem Washer (FAST)	2	
	51195-YQ2A-0000	Handle Bar Stem Washer (DNM)	1	
13_05	51185-YQ2A-0100	Decoration Screw Kit, Headset	1	
13_06	51183-YQ2A-0100	Lock cap, Handle Bar Stem	1	
13_07	B3-001-05-014-F0	Lock Screw (RST-M5*14)	3	
	B3-001-06-020-F0	Lock Screw (FAST-M6*20)	3	

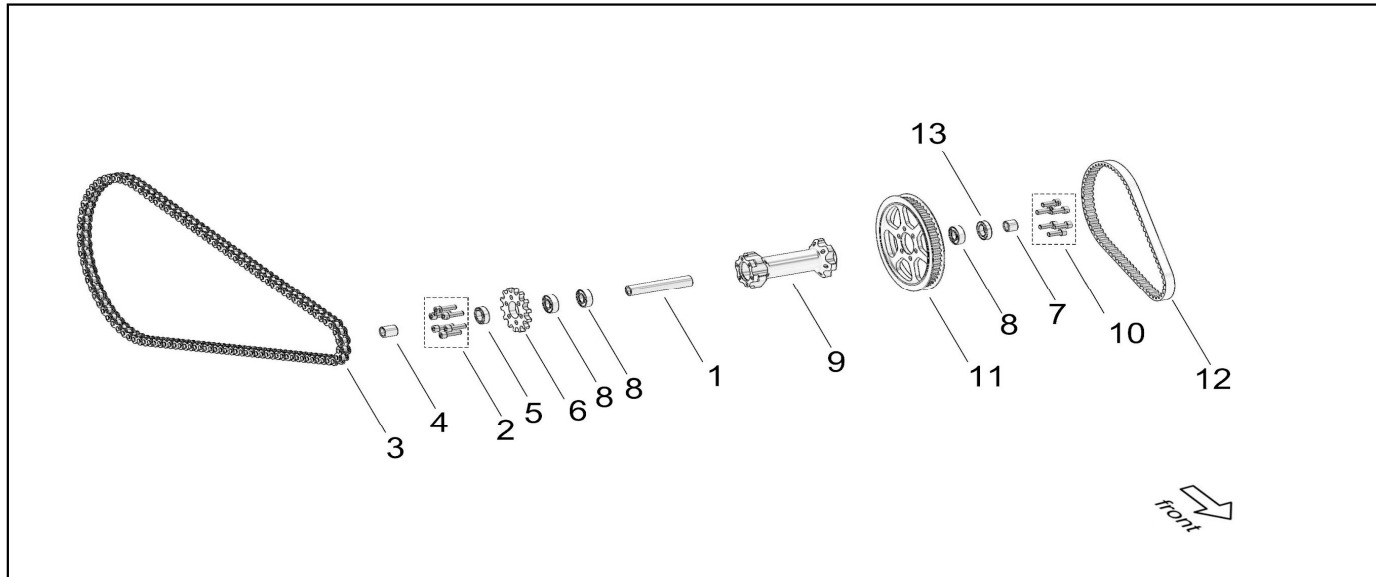
	B3-001-05-014-F0	Lock Screw (DNM-M5*14)	3	
13_08	51162-YQ2A-0000	Bracket, Handle Bar Stem	1	
13_09	B8-001-06-018-F0	Handle Bar Stem Lock Screw (M6*18)	2	
13_10	B8-001-05-018-F0	Handle Bar Lock Screw (M5*18)	4	
13_11	51164-YQ2A-0000	Cap, Handle Bar Stem	1	
13_12	51121-YQ2A-0000	Upper Connecting Plate, Steering Stem (RST)	1	
	51121-YQ2A-0100	Upper Connecting Plate, Steering Stem (FAST)	1	
	51121-YQ2A-0300	Upper Connecting Plate, Steering Stem (DNM)	1	
13_13	51182-YQ2A-0100	Upper Headset, Steering Stem	1	
13_14	51181-YQ2A-0100	Lower Headset, Steering Stem	1	
13_15	52161-YQ2A-0000	Front Brake Clip Bracket	1	
13_16	B3-001-06-018-F0	Screw (M6*18, only for RST front Absorber)	2	
13_17	23810-YQ2A-0001	Left Handle Grip	1	
	23810-YQ2A-0100	Left Handle Grip (X Version)	1	
13_18	51250-YQ2A-0000	Front Wheel Axle Assy (RST)	1	
	51250-YQ2A-0100	Front Wheel Axle Assy (FAST)	1	
	5250-YQ2A-0300	Front Wheel Axle Assy (DNM)	1	
13_19	23900-YQ2A-0000	Right Throttle Bracket	1	
13_20	51184-YQ2A-0000	Split Snap Ring	1	
13_21	51196-YQ2A-0000	Handle Bar Stem Washer	1	
13_22		Mounting Screw, Absorber Protection Plate (DNM)	6	
		Mounting Screw, Absorber Protection Plate (FAST)	6	
13_23	32280-YQ2A-0300	Absorber R. Protection Plate (DNM)	1	
	32280-YQ2A-0200	Absorber R. Protection Plate (FAST)	1	
13_24	32270-YQ2A-0300	Absorber L. Protection Plate (DNM)	1	
	32270-YQ2A-0200	Absorber L. Protection Plate (FAST)	1	

Illustration-14



ITEM	PARTS NO.	DESCRIPTION (EN)	QTY.	REMARKS
14_01	81138-YQ2A-0000	Nylon Wire Clip 2	2	
14_02	81137-YQ2A-0000	Nylon Wire Clip 1	2	
14_03	52190-YQ2A-0000	Rear Brake Clip Assy.	1	
14_07	52210-YQ2A-0000	Rear Brake Pump Assy.	1	
	52190-YQ2A-0100	Rear Brake Clip Assy. (X Version)	1	
14_07	52210-YQ2A-0000	Rear Brake Pump Assy.	1	
14_04	52190-YQ2A-0000	Front Brake Clip Assy.	1	
14_06	52110-YQ2A-0000	Front Brake Pump Assy.	1	
	52190-YQ2A-0100	Front Brake Clip Assy. (X Version)	1	
14_06	52110-YQ2A-0000	Front Brake Pump Assy.	1	
14_05	52191-YQ2A-0000	Brake Shoe	2	
14_08	52111-YQ2A-0000	Brake Lever	2	

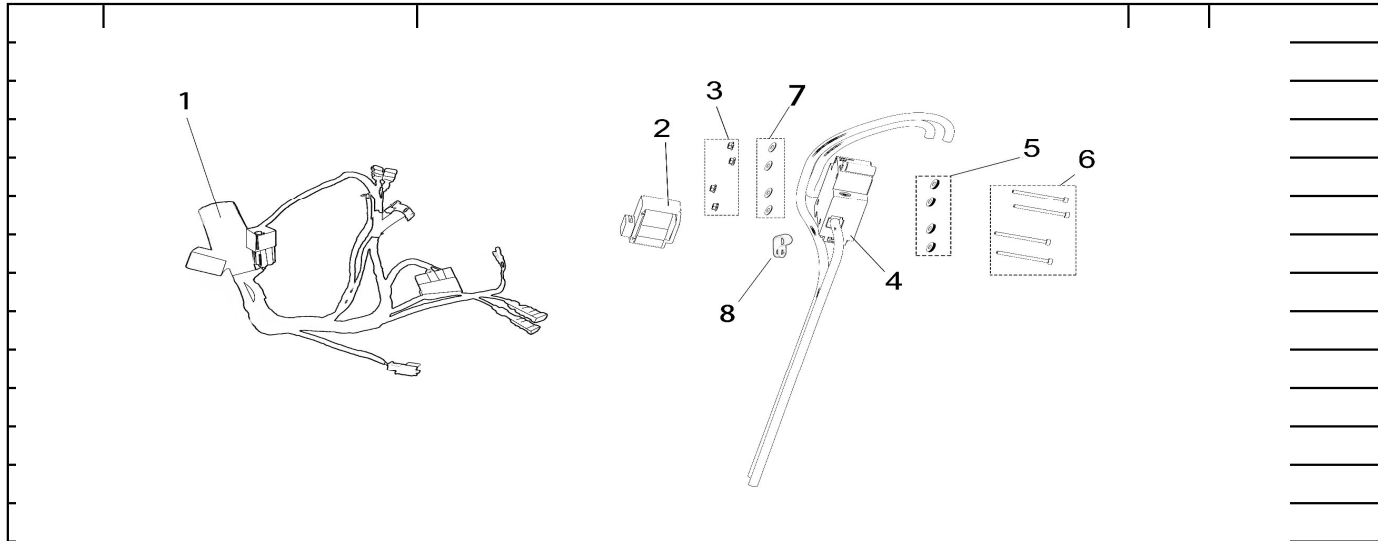
Illustration-15



ITEM	PARTS NO.	DESCRIPTION (EN)	QTY.	REMARKS
15_01	61282-YQ2A-0000	Mid. Bushing, Intermediate Shaft Sleeve	1	
15_02	B3-003-06-025-F3	Screw (M6*25)	6	
15_03	13114-YQ2A-0000	Chain (106 connection for 48T Sprocket)	1	
	13114-YQ2A-0300	O-Ring Chain (X Version)(106 connection for 48T Sprocket)	1	
	13114-YQ2A-0100	Chain (112 connection for 58T Sprocket)	1	
	13114-YQ2A-0400	O-Ring Chain (X Version)(112 connection for 58T Sprocket)	1	Refitting Part
15_04	61234-YQ2A-0000	R. Bushing, Intermediate Shaft	1	
15_05	B7-001-15-24-7	R. Oil Seal, Intermediate Shaft Sleeve	1	
15_06	13105-YQ2A-0000	Sprocket, Output Shaft	1	
15_07	61233-YQ2A-0000	L. Bushing, Intermediate Shaft	1	
15_08	Z-6000-2Z-26-10-08	Bearing, Intermediate Shaft Sleeve	1	
15_09	61281-YQ2A-0000	Intermediate Shaft Sleeve	1	
15_10	B3-001-06-016-F0	Screw (M6*16)	6	

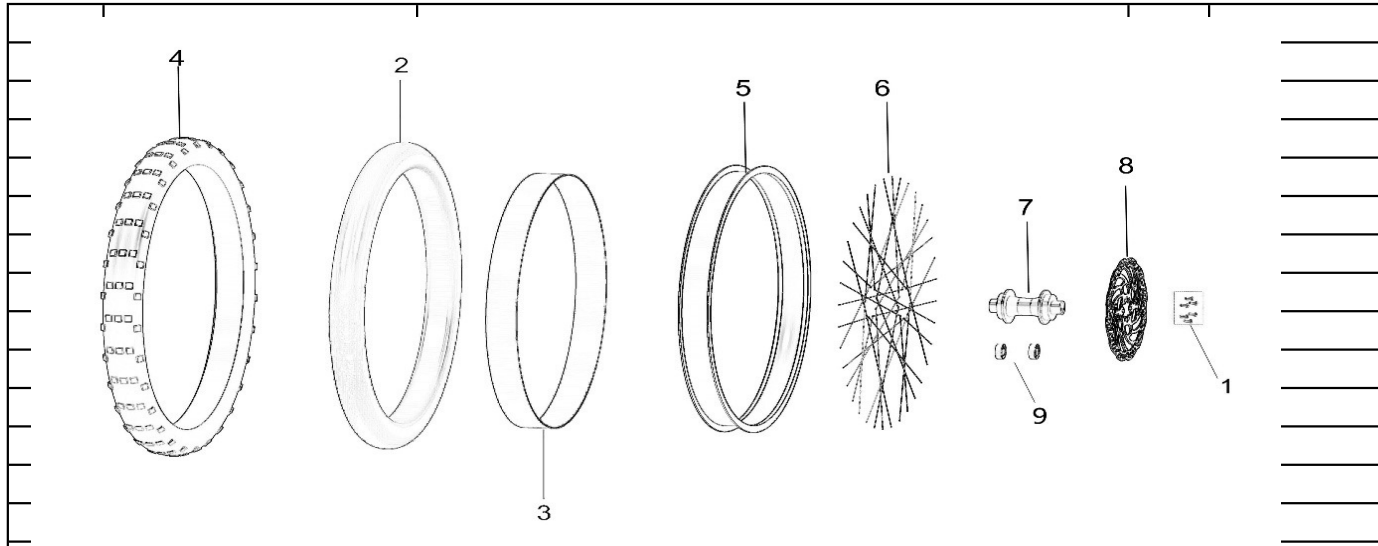
15_11	13202-YQ2A-0100	Rear Belt Pulley	1	
	13212-YQ2A-0000	Primary transmission rear Sprocket (30T)	1	
15_12	13111-YQ2A-0100	Belt	1	
	13117-YQ2A-0000	Primary transmission chain	1	Refitting Part
15_13	B7-001-15-26-6	L. Oil Seal, Intermediate Shaft Sleeve	1	

Illustration-16



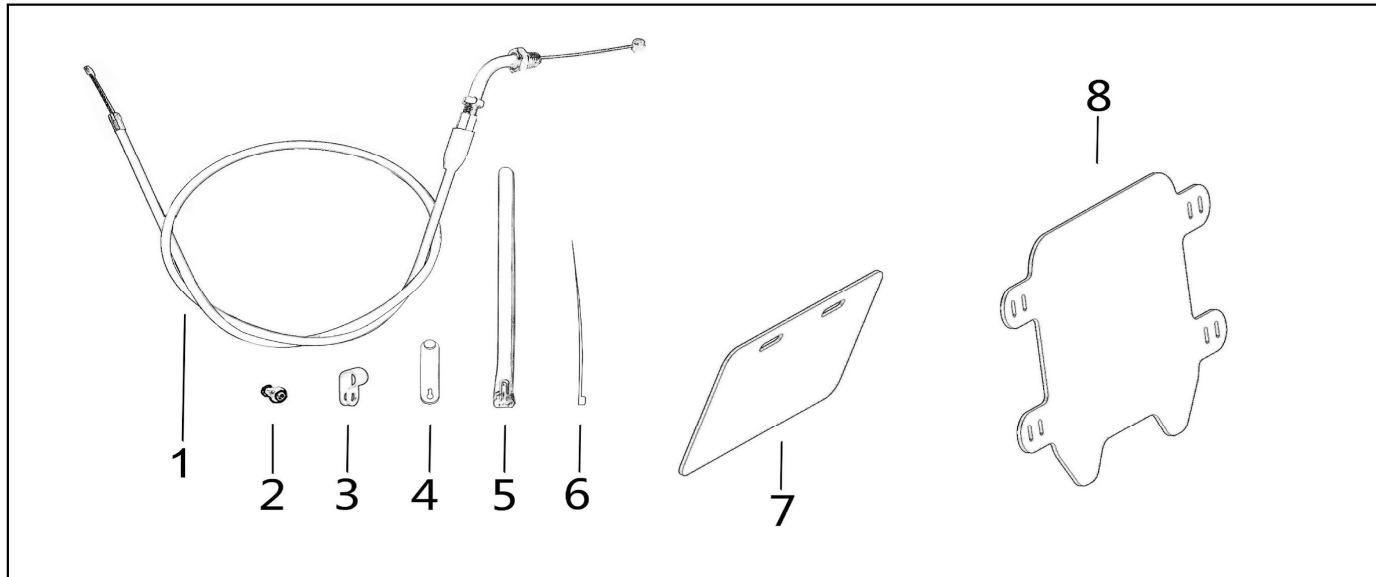
ITEM	PARTS NO.	DESCRIPTION (EN)	QTY.	REMARKS
16_01	24100-YQ2A-0100	Main Wire Assy.	1	
	24100-YQ2A-0200	Main Wire Assy. (X Version)	1	
16_02	21250-YQ2A-0000	Dump Sensor	1	
16_03	B2-012-03-F2	Nut (M3)	4	
16_04	23500-YQ2A-0000	Single - Phase Circuit Breaker	1	
16_05	81125-YQ2A-0000	Isolation Washer ($\Phi 7 * \Phi 3.2 * 5$)	4	
16_06	B3-001-03-040-F2	Screw (M3*40)	4	
16_07	B4-001-04-F1	Washer ($\Phi 4$)	4	
16_08	81153-NM1A-0000	Nylon Clip 3	1	

Illustration-17



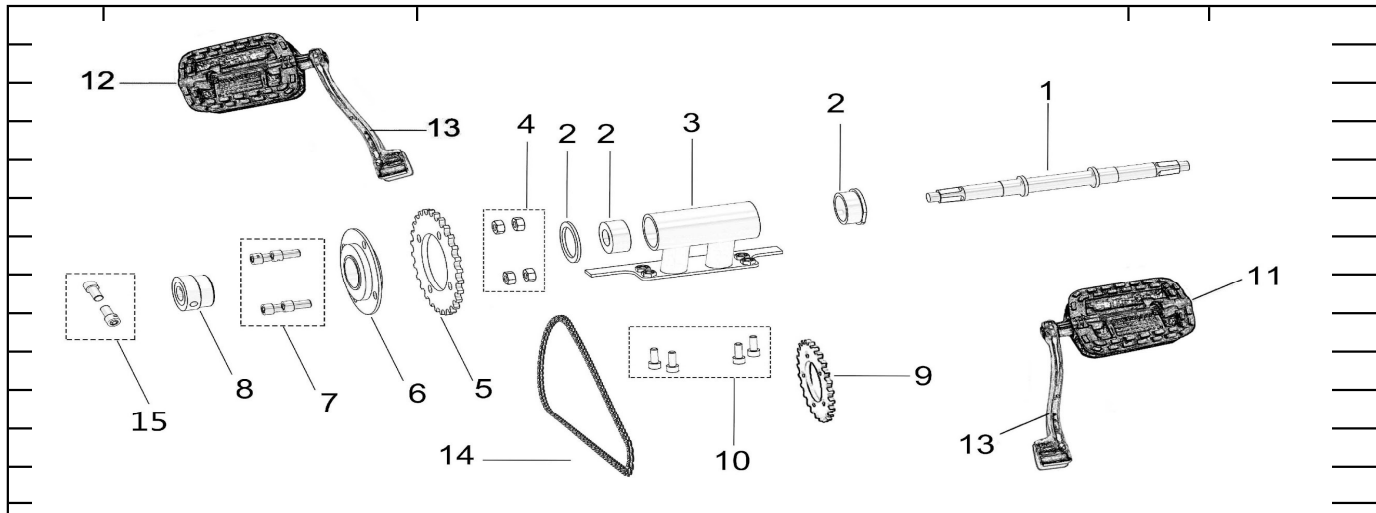
ITEM	PARTS NO.	DESCRIPTION (EN)	QTY.	REMARKS
17_01	FB03-006-05-010-F3	Screw (M5*10)	6	
17_02	51232-YQ2A-0000	Front Inner Tube	1	
	51232-YQ2A-0010	Front Inner Tube (E-Mark)	1	
17_03	51266-YQ2A-0000	Rim Band	1	
17_04	51231-YQ2A-0000	Front Tire	1	
	51231-YQ2A-0010	Front Tire (E-Mark)	1	
17_05	51271-YQ2A-0100	Front Rim	1	
17_06	51290-YQ2A-0002	Spoke Assy.	36	
17_07	51210-YQ2A-0000	Front Wheel Hub Assy.	1	
17_08	52171-YQ2A-0000	Front Brake Disc	1	
17_09		Front Wheel Bearing (Φ20*Φ32*7)	2	

Illustration-18



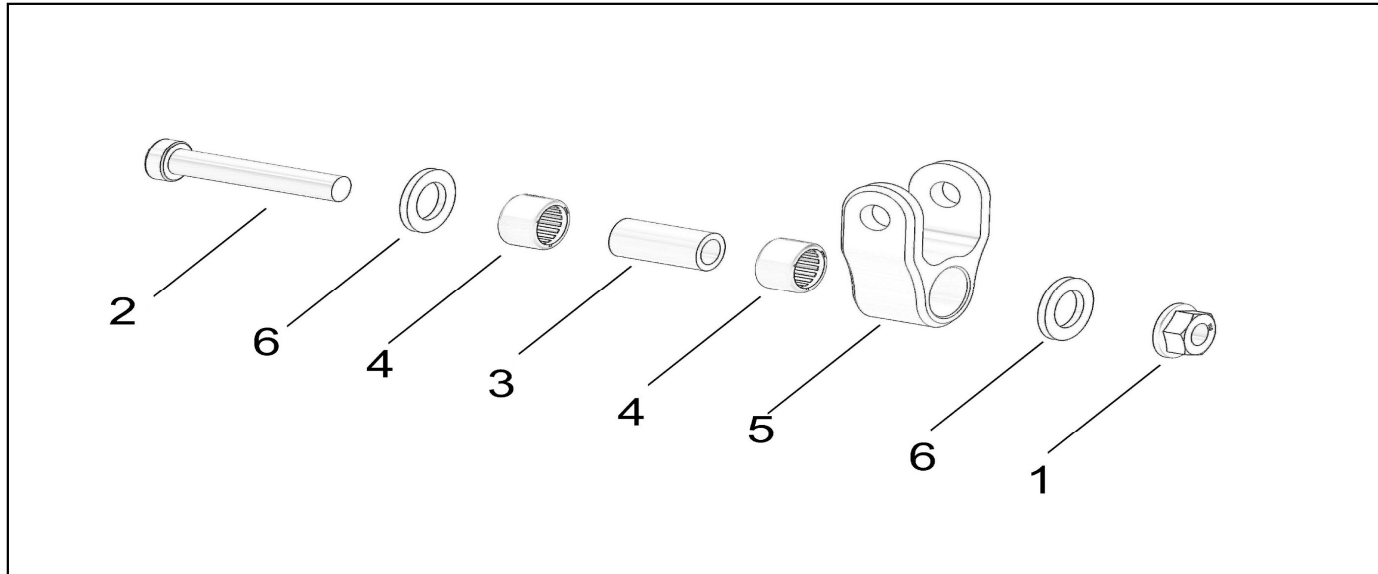
ITEM	PARTS NO.	DESCRIPTION (EN)	QTY.	REMARKS
18_01	71110-YQ2A-0000	Throttle Cable	1	
18_02	FB03-004-008-F2	Screw (M5*8)	1	
18_03	81138-YQ2A-0000	Nylon Wire Clip 2	1	
18_04	81135-NM1A-0000	Rubber Strip	2	
18_05	81141-YQ2A-0000	Nylon Strip	4	
18_06	81145-NM1A-0000	Wire Fixing Strip	7	
18_07	81181-YQ2A-0000	Rear Billboard (For Domestic Market)	1	
	81181-YQ2A-0001	Rear Billboard (English Version)		English Version
	81181-YQ2A-0100	Rear Billboard (X Version)	1	X Version
18_08	81182-YQ2A-0000	Front Number Plate	1	

Illustration-19



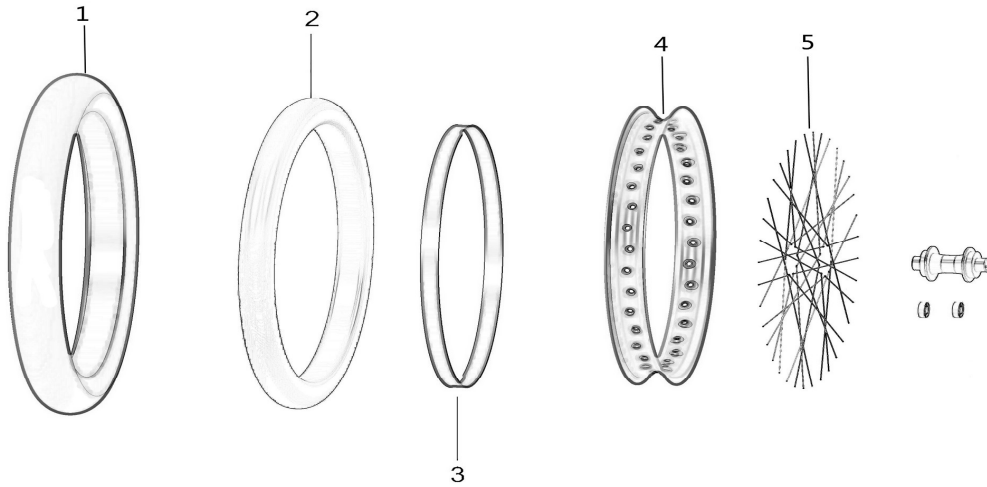
ITEM	PARTS NO.	DESCRIPTION (EN)	QTY.	REMARKS
19_01	13311-YQ2A-0000	Mid. Shaft, Kick Pedal System	1	
19_02	13330-YQ2A-0000	Mid. Shaft Headset	1	Refitting Part
19_03	13320-YQ2A-0000	Mid. Shaft Bracket	1	Refitting Part
19_04	B2-001-08-F2	Nut (M8)	4	Refitting Part
19_05	13313-YQ2A-0000	Fr. Sprocket, Kick Pedal System	1	Refitting Part
19_06	13312-YQ2A-0000	Toothless Sprocket	1	Refitting Part
19_07	B3-001-08-016-F2	Bolt (M8 * 16)	4	Refitting Part
19_08	13341-YQ2A-0000	Mounting Housing, Toothless Sprocket	1	Refitting Part
19_09	13314-YQ2A-0000	Rr. Sprocket, Kick Pedal System	1	Refitting Part
19_10	B3-001-06-016-F2	Bolt (M6 * 16)	4	Refitting Part
19_11	13317-YQ2A-0000	Left Pedal	1	Refitting Part
19_12	13318-YQ2A-0000	Right Pedal	1	Refitting Part
19_13	13315-YQ2A-0000	crank	2	Refitting Part
19_14	13319-YQ2A-0000	Chain, Kick Pedal System	1	Refitting Part
19_15	B3-001-08-016-F2	Bolt (M8 * 16)	2	Refitting Part

Illustration-20



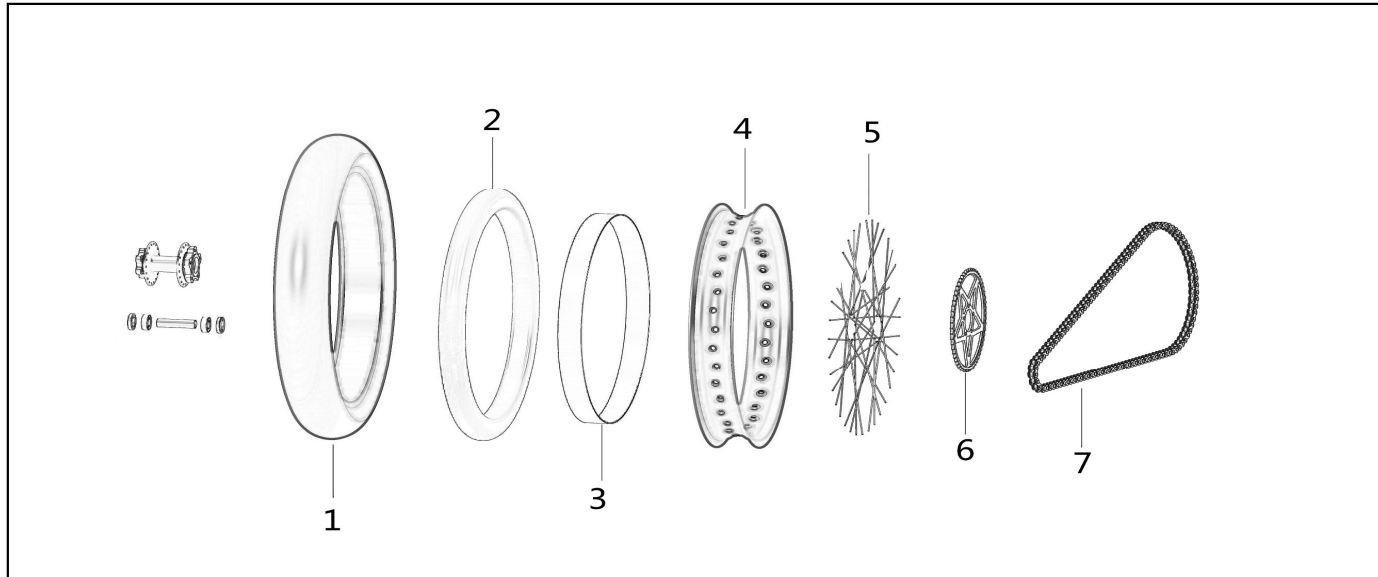
ITEM	PARTS NO.	DESCRIPTION (EN)	QTY.	REMARKS
20_01	B2-006-08-F1	Nut (M8)	1	Refitting Part
20_02	B3-001-08-045-F1	Bolt (Half-thread L45-M8*20)	1	Refitting Part
20_03	55172-YQ2A-0000	Mounting bushing for Damping adapter	1	Refitting Part
20_04	Z-HK1210-16-12-10	Mounting bearing for Damping adapter	2	Refitting Part
20_05	55171-YQ2A-0000	Damping adapter	1	Refitting Part
20_06	55163-YQ2A-0000	Washer (Φ12-Φ20-2)	2	Refitting Part

Illustration-21



ITEM	PARTS NO.	DESCRIPTION (EN)	QTY.	REMARKS
21_01	51231-YQ2A-0100	Front Tire (Super Motor Tire Kit)	1	Refitting Part
21_02	51232-YQ2A-0100	Front Inner Tube (Super Motor Tire Kit)	1	
21_03	51266-YQ2A-0100	Rim Band (Super Motor Tire Kit)	1	Refitting Part
21_04	51271-YQ2A-0200	Front Rims (Super Motor Tire Kit)	1	Refitting Part
21_05	51290-YQ2A-0004	Spoke Assy. (Super Motor Tire Kit)	36	

Illustration-22



ITEM	PARTS NO.	DESCRIPTION (EN)	QTY.	REMARKS
22_01	51331-YQ2A-0000	Rear Tire (Super Motor Tire Kit)	1	Refitting Part
22_02	51332-YQ2A-0000	Rear Inner Tube (Super Motor Tire Kit)	1	
22_03	51266-YQ2A-0100	Rim Band (Super Motor Tire Kit)	1	Refitting Part
22_04	51371-YQ2A-0000	Rear Rim (Super Motor Tire Kit)	1	Refitting Part
22_05	51390-YQ2A-0002	Spoke Assy. (Super Motor Tire Kit)	36	
22_06	13204-YQ2A-0100	Sprocket (42T)	1	
22_07	13114-YQ2A-0200	Chain (102 connection for 42T Sprocket)	1	