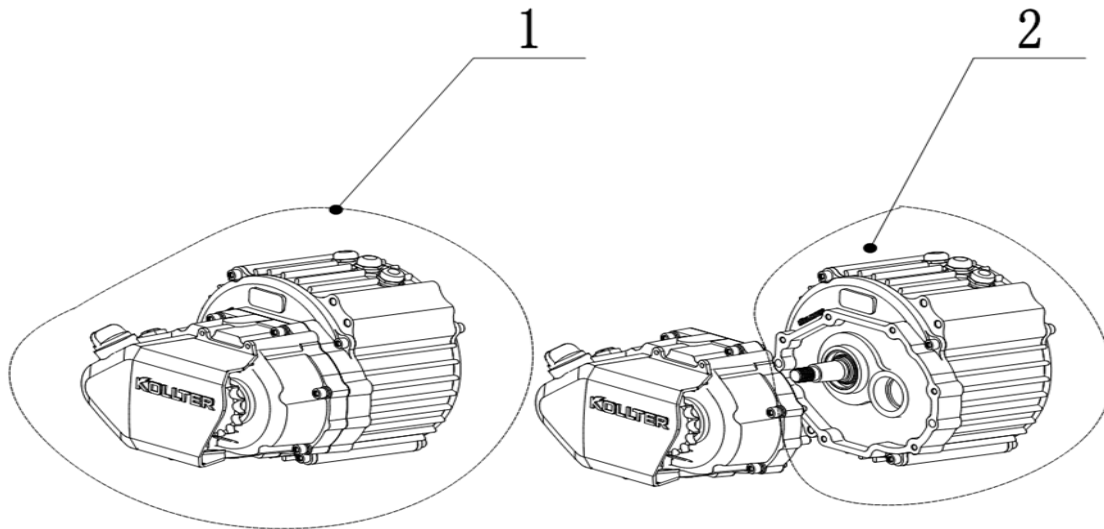
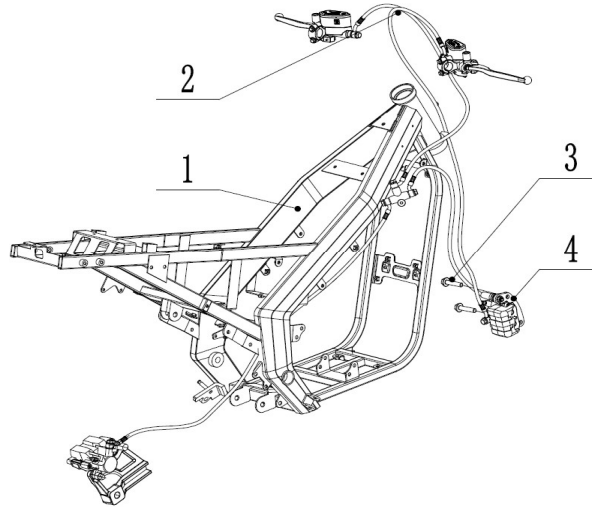


ES1 PRO Parts Book



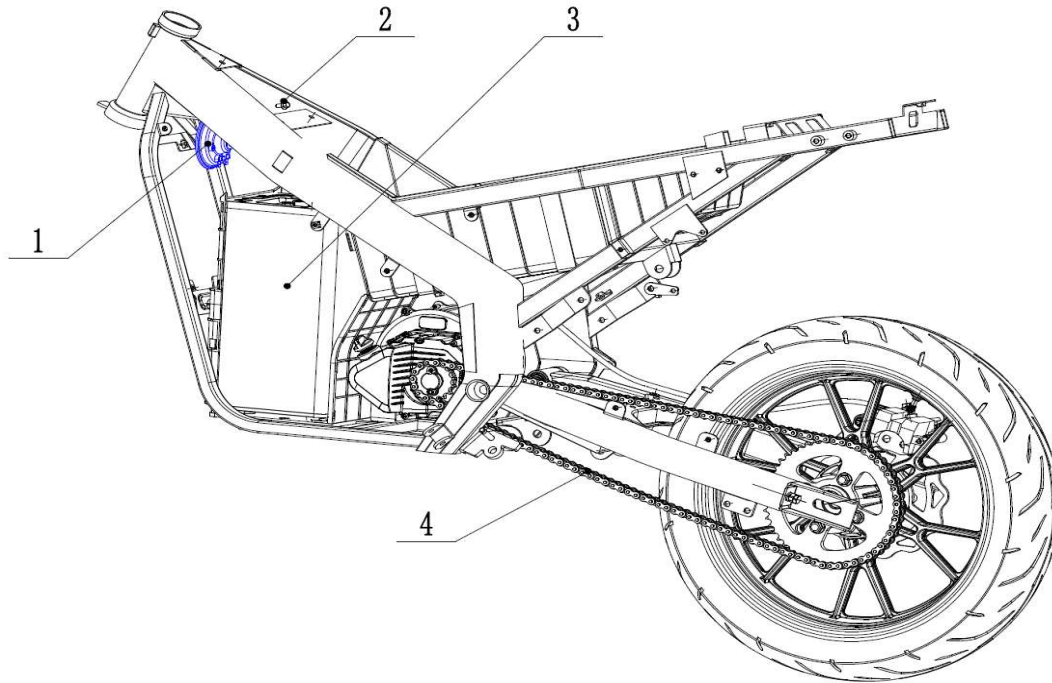
Serial NO.	Part No.	Part Name (EN)	Specifications and Models	PCS	Weight (Kg)
1	DM03-110000	reduction gear motor assy		1	
2	DM03-110100	motor		1	

ES1 PRO Parts Book



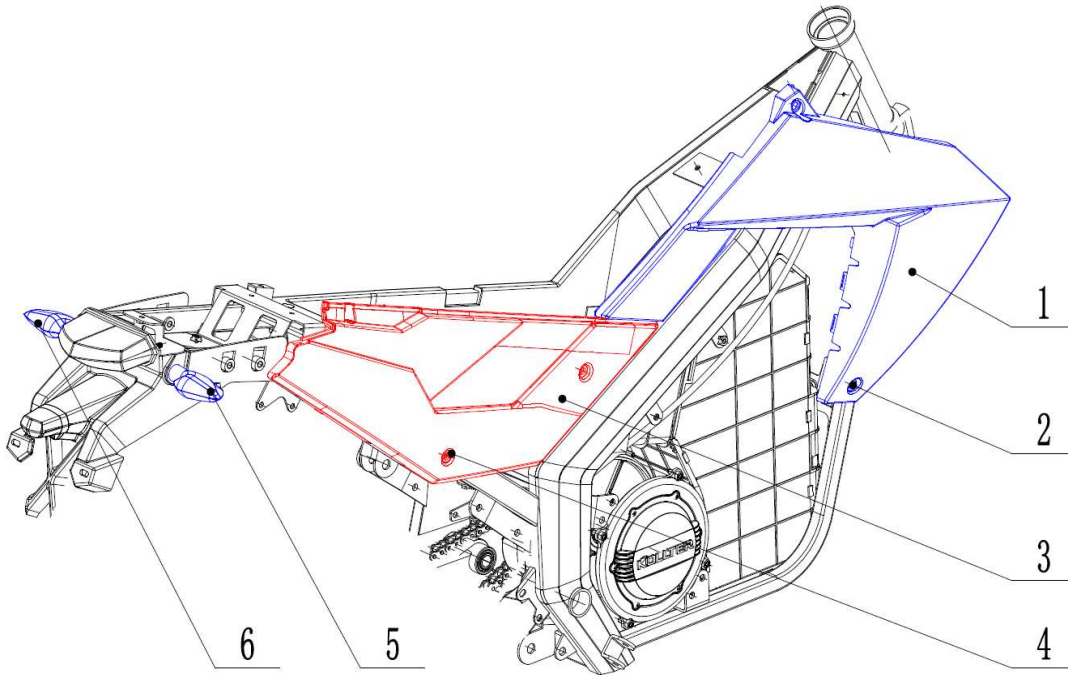
Serial NO.	Part No.	Part Name (EN)	Specifications and Models	PCS	Weight (Kg)
1	210100	motorcycle frame assy		1	
2	DM03-460000	CBS disc brake assy		1	
3	(F) LA10045B08	hexagon flange bolt	M10×1.25×45 (军绿)	2	
4	DM03-430104	Front disc brake bracket		1	

ES1 PRO Parts Book



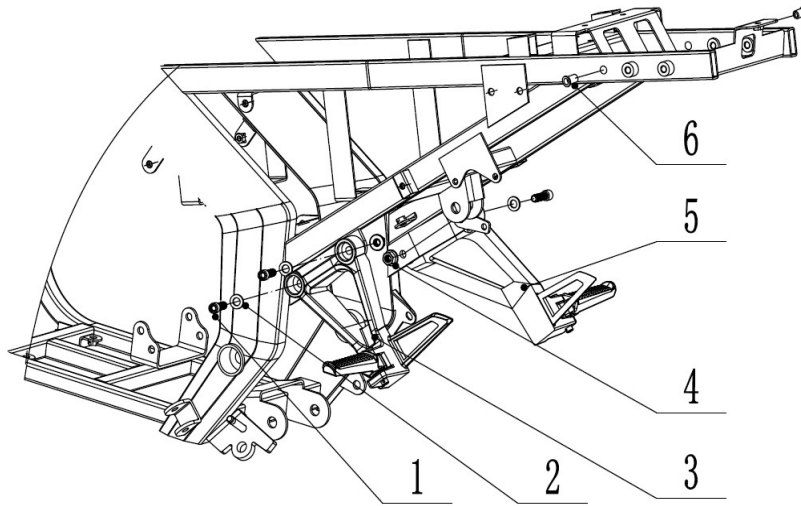
Serial NO.	Part No.	Part Name (EN)	Specifications and Models	PCS	Weight (Kg)
1	360400	horn		1	
2	LA06012A08	hexagon flange bolt	M6×12 (军绿)	1	
3	DM03-120100	battery	72v/31.5Ah	2	
4	450100	chain	428-134	1	

ES1 PRO Parts Book



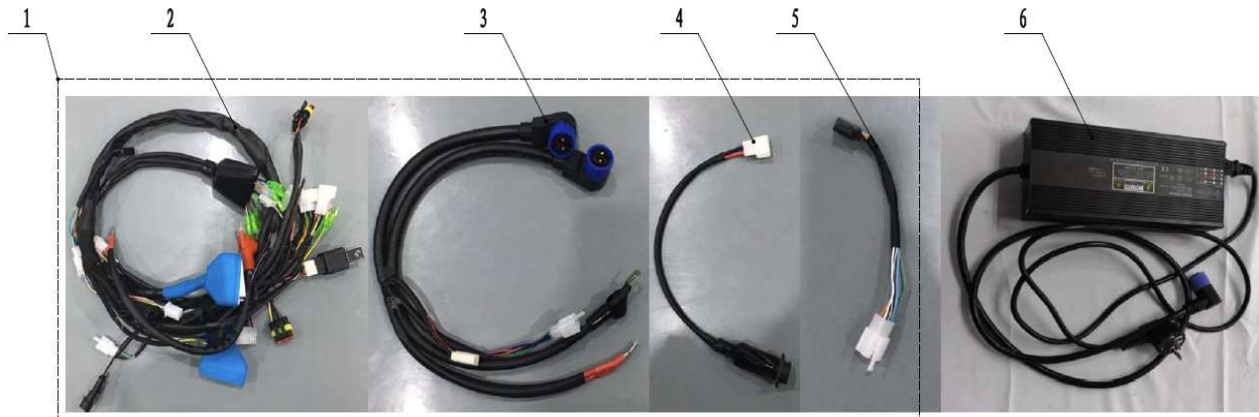
Serial NO.	Part No.	Part Name (EN)	Specifications and Models	PCS	Weight (Kg)
1	810402-B	right guard plate (Black)		1	
	810402-W	right guard plate (White)		1	
2	810002	hexagon socket head step screw	M6×16 不锈钢	3	
3	810412-B	rear cover,right (Black)		1	
	810412-W	rear cover,right (White)		1	
4	810002	hexagon socket head step screw	M6×16 不锈钢	4	
5	320600	rear right turn signal		1	
6	320500	rear left turn signal		1	

ES1 PRO Parts Book



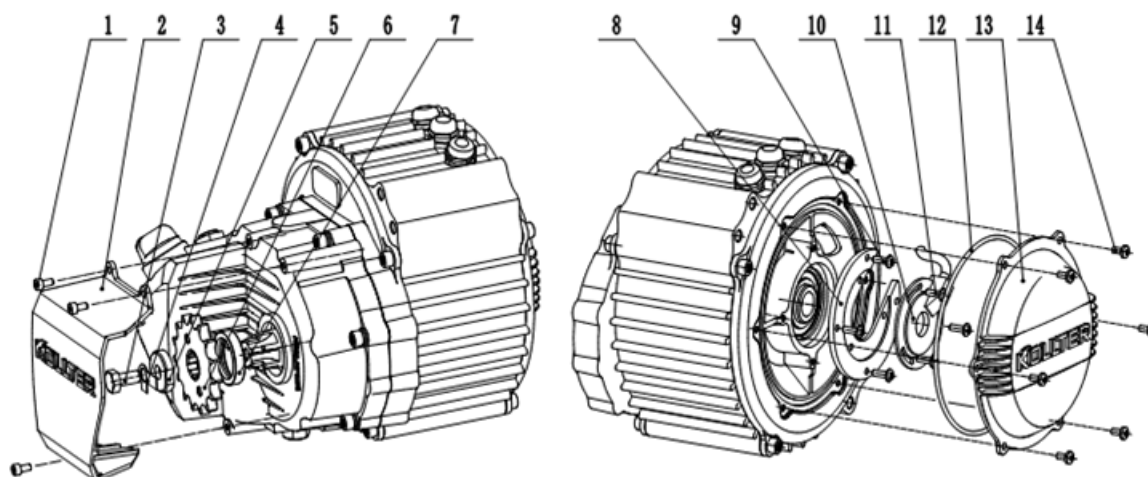
Serial NO.	Part No.	Part Name (EN)	Specifications and Models	PCS	Weight (Kg)
1	LC08025B58	hexagon socket cap screws	M8×25	4	
2	PP0816165	flat washer	φ8×φ16×1.6	4	
3	730300	rear footrest, left ASSY		1	
4	(F)M08BA38	hexagon flange nut	M8×1.25 S=12(白锌)	4	
5	730400	rear footrest, right ASSY		1	
6	M06AM28	Flat head riveted nuts	M6	2	

ES1 PRO Parts Book



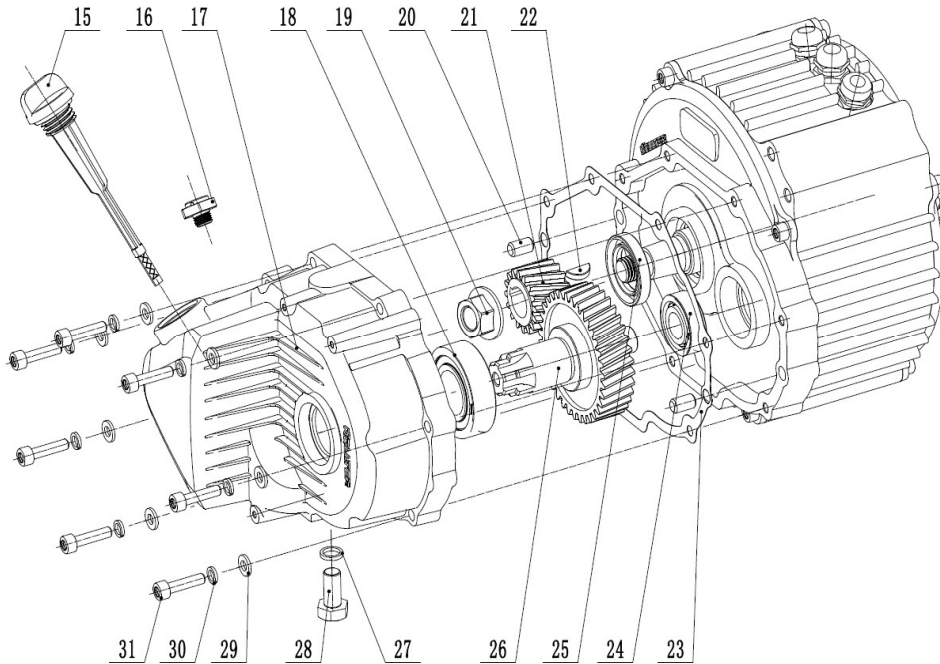
Serial NO.	Part No.	Part Name (EN)	Specifications and Models	PCS	Weight (Kg)
1	DM03-360100	bundle of cables		1	
2	DM03-360101	main cable		1	
3	DM03-360102	Vice-cable		1	
4	DM03-360103	Charging extension cable		1	
5	DM03-360104	Diode assembly		1	
6	DM03-140100	charger 84V/6A	84V/5A	1	
6	DM03-140200	charger 84V/15A	84V/15A	1	

ES1 PRO Parts Book



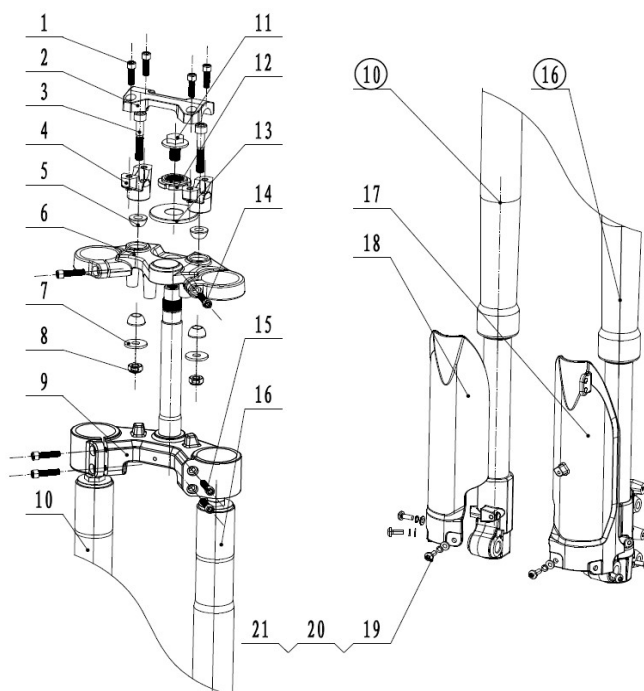
Serial NO.	Part No.	Part Name (EN)	Specifications and Models	PCS	Weight (Kg)
1	LC04008858	hexagon socket cap screws	M4×8	3	
2	110015	sprocket cover		1	
3	LB08020B18	hexagon bolt	M8×20 8.8级	1	
4	PZ085	Tab washers with long tab and wing	φ8	1	
5	110204(G)	pressure cover for sprocket		1	
6	110023	sprocket (13T)	13齿	1	
7	FB25357	double-lip seal	FB25×35	1	
8	110132	hall bracket		1	
9	SSP04103	cross recessed pan head screw	M4×10	4	
10	110133	hall sensor		1	
11	SSP04083	cross recessed pan head screw	M4×8	3	
12	110005	O-ring	125×2.65	1	
13	110104	decorative cover, right		1	
14	LC04008858	hexagon socket cap screws	M4×8	6	

ES1 PRO Parts Book



Serial NO.	Part No.	Part Name (EN)	Specifications and Models	PCS	Weight (Kg)
15	110004	level rod		1	
16	110008	vent plug	M10×1.5	1	
17	110001	the left compartment of gearbox		1	
18	ZS6205	deep groove ball bearing	6205	1	
19	M14CC08	hexagon flange lock nut	M14×1.5	1	
20	110009	cylindrical pin	φ8×20	2	
21	110202(G)	gear(17T)	Z17	1	
22	110010	woodruff key	4×6.5×16	1	
23	110002	paper washer		1	
24	ZS6202	deep groove ball bearing	6202	1	
25	FB2540	internal skeleton oil seal	FB25×40	1	
26	110203 (G)	driven gear shaft	Z34	1	
27	110007	oil drain gasket	φ10×φ15×1.5	3	
28	110006	oil drain bolt	M10×1.5×16	1	
29	PP0612165	flat washer	φ6×φ12	7	
30	PT065	spring washer	φ6	7	
31	LC06025A58	hexagon socket cap screws	M6×25	7	

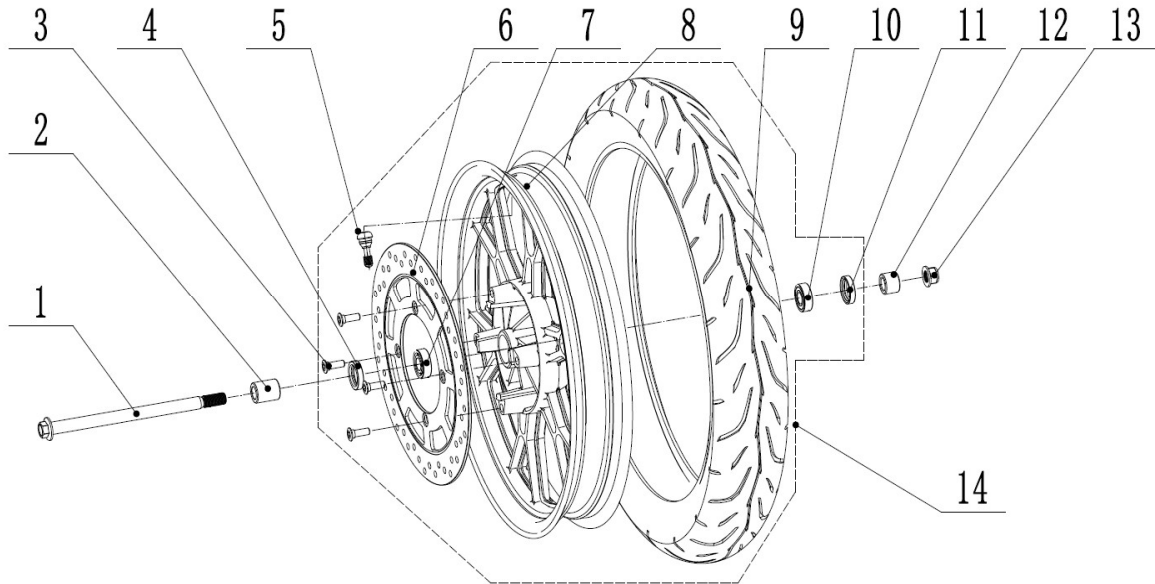
ES1 PRO Parts Book



Serial NO.	Part No.	Part Name (EN)	Specifications and Models	PCS	Weight (Kg)
1	LC08025B58	hexagon socket cap screws	M8×25	4	
2	610302	handlebar pressing piece		1	
3	LC10060C58	hexagon socket cap screws	M10×60	2	
4	610301	handlebar fixed pedestal		2	
5	610303	fixed pedestal cushion cover		4	
6	610304	steering stem upper triple		1	
7	PP103023	flat washer	φ10×φ30×2.5	2	
8	M10CC38	hexagon jam nut	M10	2	
9	610401	steering stem lower triple		1	
10	610200	right shock absorber	820	1	
11	610405	compression bolt		1	
12	610403	round jam nut		1	
13	610404	dust cover		1	
14	LC08030C58	hexagon socket cap screws	M8×30	2	
15	LC08030C58	hexagon socket cap screws	M8×30	4	
16	610100	left shock absorber	820	1	
17	610501-B	guard plate of front shock absorber, left (Black)		1	
	610501-W	guard plate of front shock absorber, left (White)		1	
18	610502-B	guard plate of front shock absorber, right (Black)		1	
	610502-W	guard plate of front shock absorber, right (White)		1	
19	LC06016A58	hexagon socket cap screws	M6×16	6	

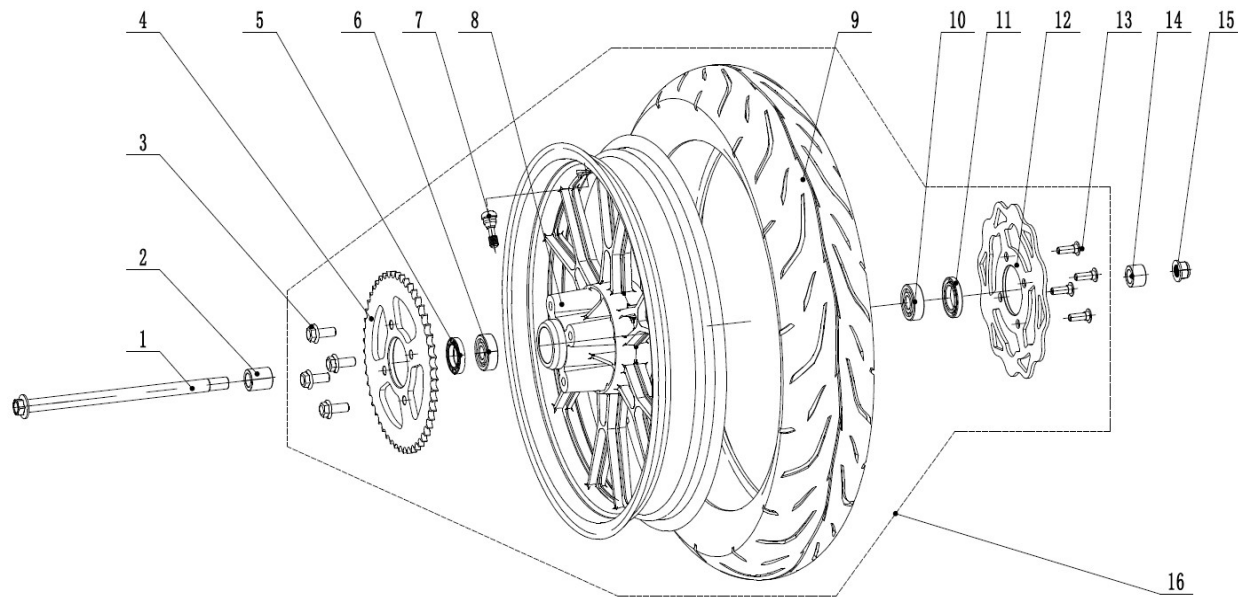
20	PT065	spring washer	$\varphi 6$	6	
21	PP0612160	flat washer	$\varphi 6 \times \varphi 12 \times 1.6$	6	

ES1 PRO Parts Book ES1-S PRO



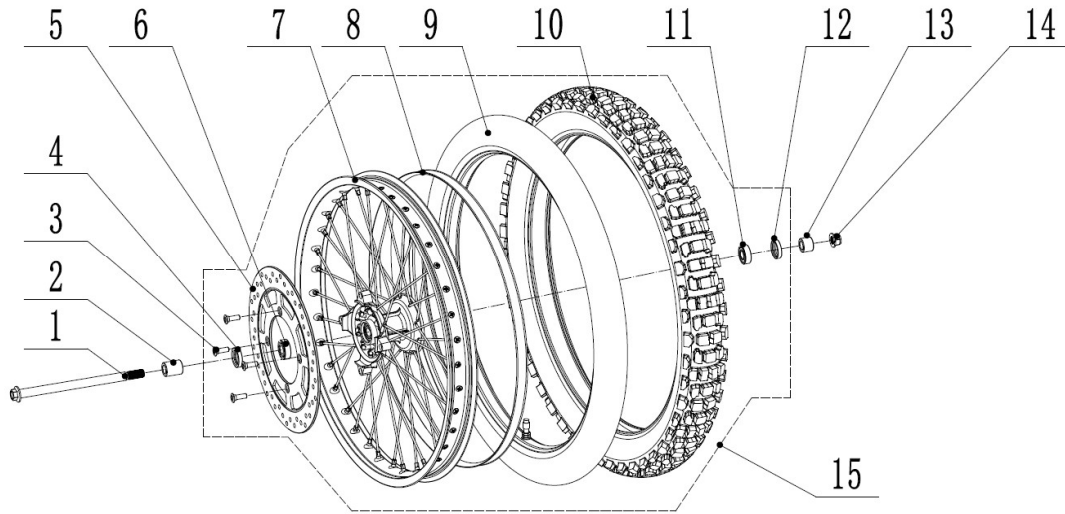
Serial NO.	Part No.	Part Name (EN)	Specifications and Models	PCS	Weight (Kg)
1	410103	front axle		1	
2	410104	axle sleeve of front wheel, right	$\phi 15 \times \phi 25 \times 28$	1	
3	430002	disc brake screw		4	
4	FB25357	oil seal	$\phi 25 \times \phi 35 \times 7$	1	
5	420001	valve mouth		1	
6	DM03-460001	front brake disc	$\phi 300$	1	
7	ZS6202	front wheel bearing	6202	1	
8	410101	front hub	2.50-17	1	
9	420100	front tire	110/70-17	1	
10	ZS6202	front wheel bearing	6202	1	
11	FB25357	oil seal	$\phi 25 \times \phi 35 \times 7$	1	
12	410105	axle sleeve of front wheel, left	$\phi 15 \times \phi 25 \times 36$	1	
13	(F)M14CC28	hexagon flange lock nut	M14×1.5	1	
14	DM03-400100	front wheel group		1	

ES1 PRO Parts Book ES1-S PRO



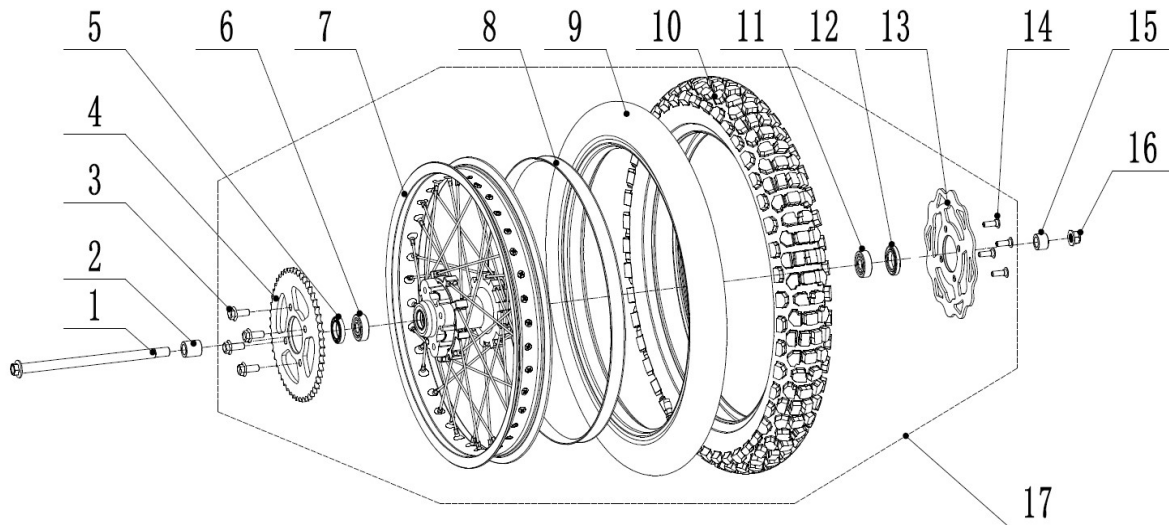
Serial NO.	Part No.	Part Name (EN)	Specifications and Models	PCS	Weight (Kg)
1	410203	rear axle		1	
2	410204	axle sleeve of rear wheel, left	$\varnothing 15 \times \varnothing 25 \times 27.5$	1	
3	LA10025B08	hexagon flange bolt	M10 \times 1.25 \times 25	4	
4	410206	large sprocket 51T	Z51	1	
5	FB25427	oil seal	$\varnothing 25 \times \varnothing 42 \times 7$	1	
6	ZS6302	deep groove ball bearing	6302	1	
7	420001	valve mouth		1	
8	410201	rear hub	3.00-17	1	
9	420200	rear tire	120/70-17	1	
10	ZS6302	deep groove ball bearing	6302	1	
11	FB25427	oil seal	$\varnothing 25 \times \varnothing 42 \times 7$	1	
12	440001	rear brake disc	$\varnothing 210$	1	
13	430002	disc brake screw		4	
14	410205	axle sleeve of rear wheel, right	$\varnothing 15 \times \varnothing 25 \times 17$	1	
15	(F)M14CC28	hexagon flange lock nut	M14 \times 1.5	1	
16	400200	rear wheel group		1	

ES1 PRO Parts Book ES1-S PRO



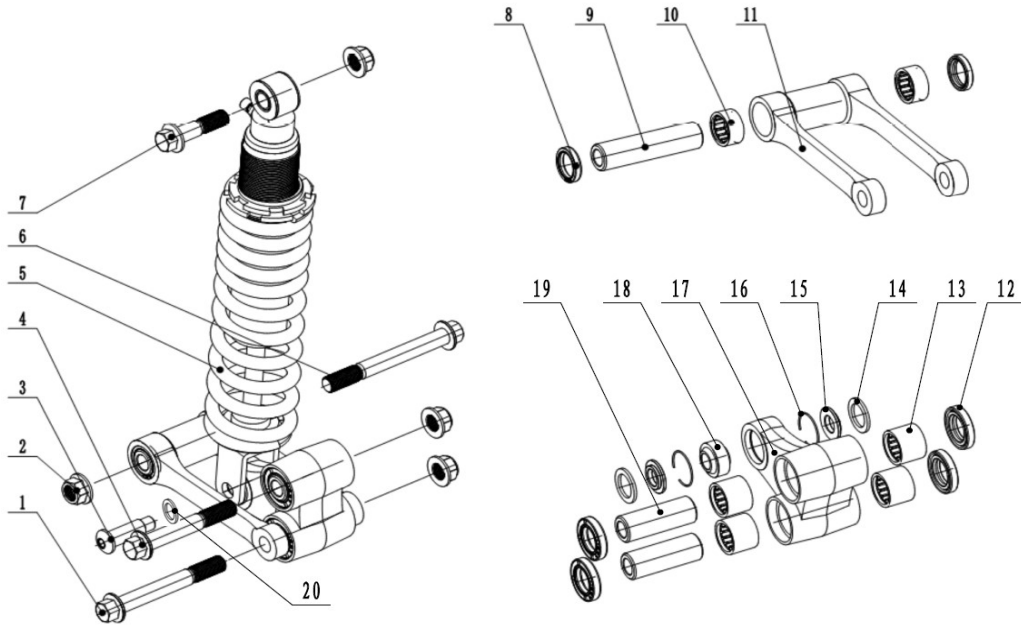
Serial NO.	Part No.	Part Name (EN)	Specifications and Models	PCS	Weight (Kg)
1	410103	front axle		1	
2	410104	axle sleeve of front wheel, right	$\varphi 15 \times \varphi 25 \times 28$	1	
3	430002	disc brake screw		4	
4	FB25355	oil seal	$\varphi 25 \times \varphi 35 \times 5$	1	
5	DM03-460001	front brake disc	$\varphi 300$	1	
6	ZS6202	front wheel bearing	6202	1	
7	410300	front rim assembly	1.6-21	1	
8	420303	front tire liner		1	
9	420302	front tire inner tube	2.75-21	1	
10	420301	front tire outer tire	3.0-21	1	
11	ZS6202	front wheel bearing	6202	1	
12	FB25355	oil seal	$\varphi 25 \times \varphi 35 \times 5$	1	
13	410105	axle sleeve of front wheel, left	$\varphi 15 \times \varphi 25 \times 36$	1	
14	(F)M14CC28	hexagon flange lock nut	M14 \times 1.5	1	
15	DM03-400300	front wheel group		1	

ES1 PRO Parts Book ES1-X PRO



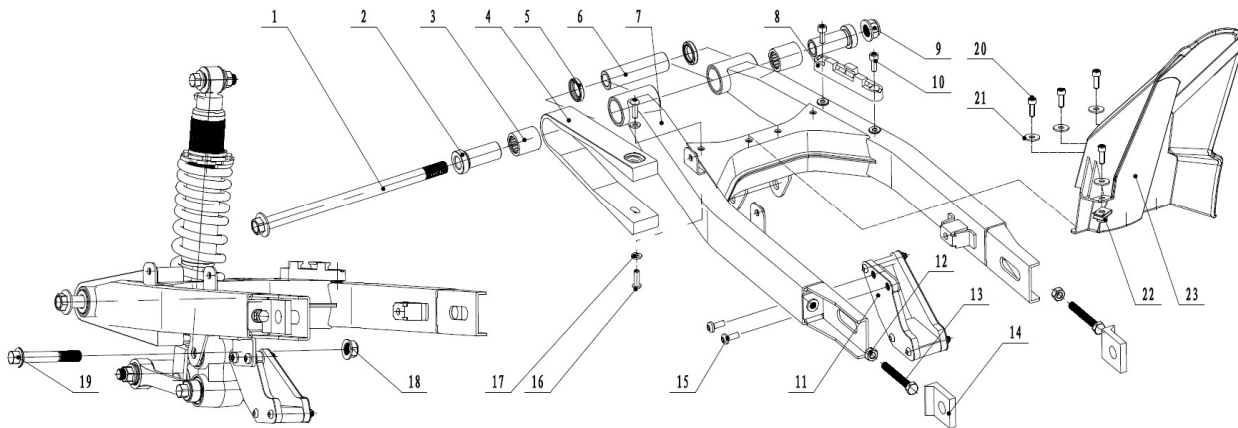
Serial NO.	Part No.	Part Name (EN)	Specifications and Models	PCS	Weight (Kg)
1	410203	rear axle		1	
2	410204	axle sleeve of rear wheel, left	$\varnothing 15 \times \varnothing 25 \times 27.5$	1	
3	LA10025B08	hexagon flange bolt	M10 \times 1.25 \times 25	4	
4	410206	large sprocket 51T	Z51	1	
5	FB27427	oil seal	$\varnothing 27 \times \varnothing 42 \times 7$	1	
6	ZS6302	deep groove ball bearing	6302	1	
7	410400	Rear rim assembly		1	
8	420403	rear tire liner		1	
9	420402	Rear tire inner tube	3.5-18	1	
10	420401	Rear tire outer tire	4.1-18	1	
11	ZS6302	deep groove ball bearing	6302	1	
12	FB27477	oil seal	$\varnothing 27 \times \varnothing 47 \times 7$	1	
13	440001	rear brake disc	$\varnothing 210$	1	
14	430002	disc brake screw		4	
15	410205	axle sleeve of rear wheel, right	$\varnothing 15 \times \varnothing 25 \times 17$	1	
16	(F)M14CC28	hexagon flange lock nut	M14 \times 1.5	1	
17	400400	rear wheel group		1	

ES1 PRO Parts Book



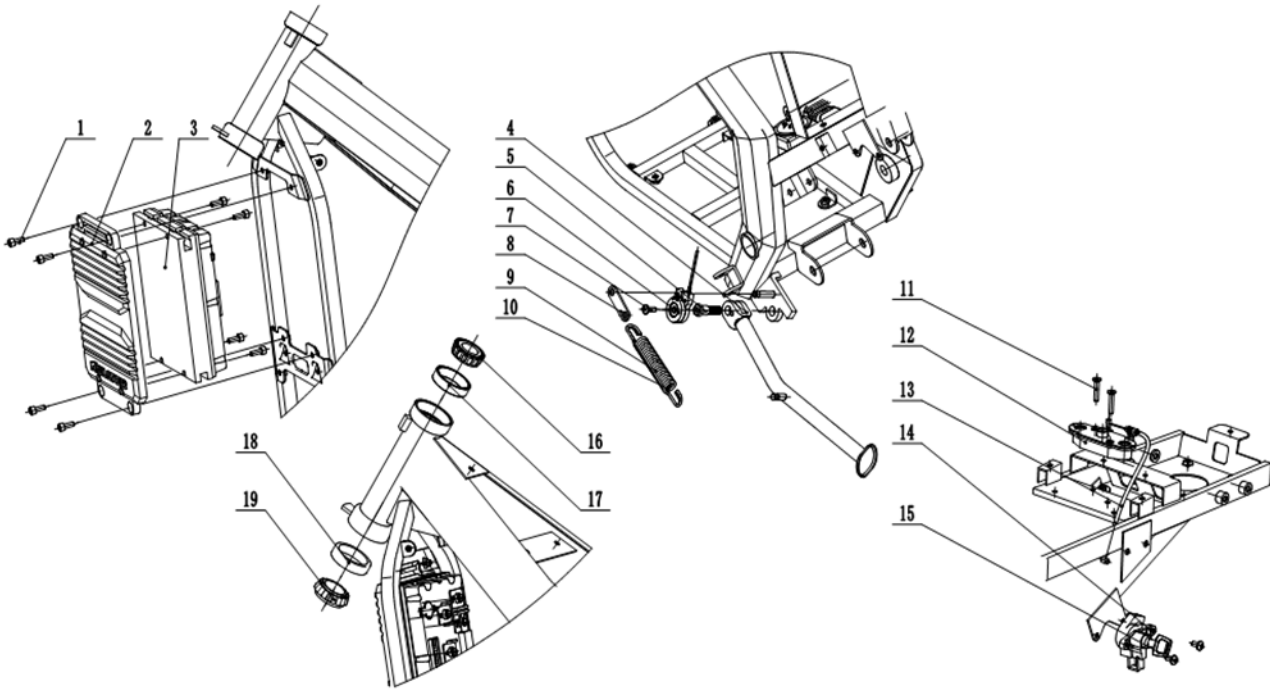
Serial NO.	Part No.	Part Name (EN)	Specifications and Models	PCS	Weight (Kg)
1	LA12095B08	hexagon flange bolt	M12×1.25×95	1	
2	(F) M12BC08	hexagon flange lock nut	M12×1.25	4	
3	520007	step bolt		1	
4	LA12080B08	hexagon flange bolt	M12×1.25×80	1	
5	520200	rear shock absorber		1	
6	520200-C1	rear shock absorber (short version)		1	
7	LA12105B08	hexagon flange bolt	M12×1.25×105	1	
8	LA12045B08	hexagon flange bolt	M12×1.25×45	1	
9	FB20265	oil seal	φ20×φ26×5	2	
10	520403	swing fork bushing	φ12×φ20×80	1	
11	520404	needle roller bearings without inner ring	HK2012	2	
12	520401	swing fork		1	
13	FB20326	oil seal	φ20×φ32×6	4	
14	520307	needle roller bearings without inner ring	HK2020	4	
15	520006	rubber mat	φ18×φ26×2	2	
16	520005	rear shock absorbing bushing		2	
17	520303	roundwire snap ring for hole	φ26×1	2	
18	520301	triangle swingarm		1	
19	520302	Spherical plain bearings	φ12×φ26×15	1	
20	520306	triangle swingarm bushing	φ12×φ20×55	2	
21	520008	flat washer	φ13×φ24×1.5		

ES1 PRO Parts Book



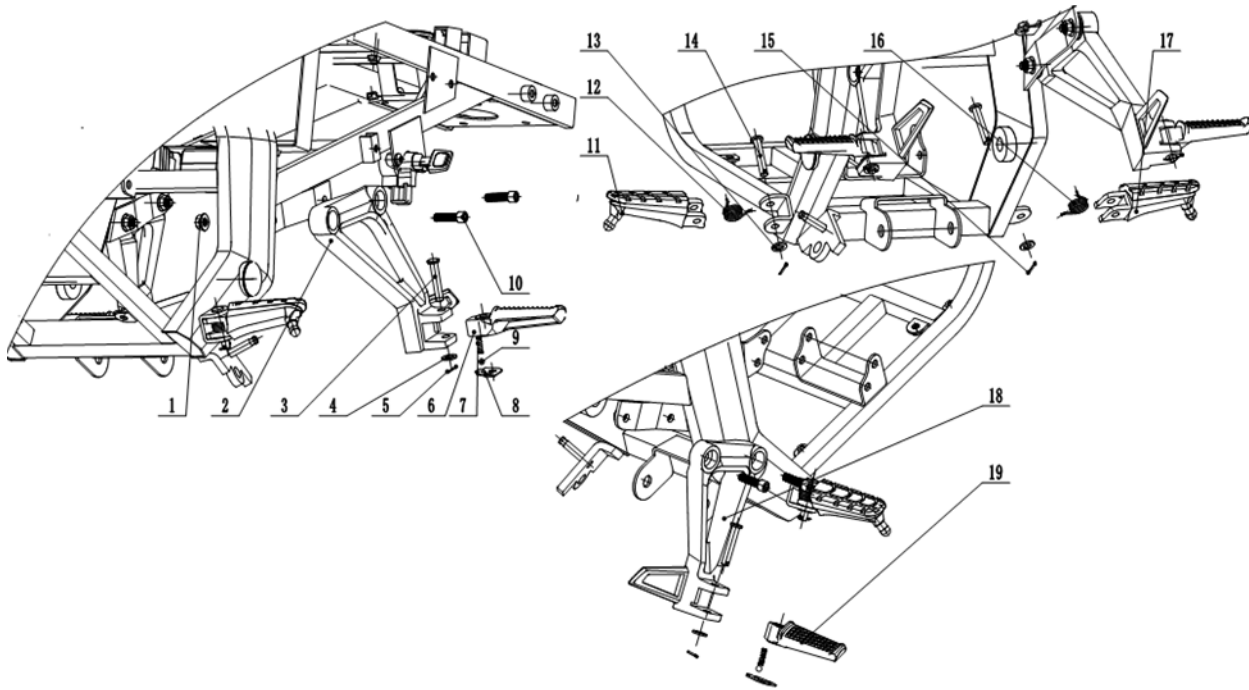
Serial NO.	Part No.	Part Name (EN)	Specifications and Models	PCS	Weight (Kg)
1	520107	rear flat fork shaft	M14×1.5×250	1	
2	520101	rear flat fork bushing		2	
3	520104	needle roller bearings without inner ring	HK202730	2	
4	520001	chain supporting		1	
5	FB20275	oil seal	φ20×φ27×5	2	
6	520102	rear fork spacer sleeve	φ14.5×φ22×80	1	
7	520110	rear fork welding assembly		1	
8	520003	tubing clamp		1	
9	M14CC08	hexagon flange lock nut	M14×1.5	1	
10	LC06020A58	hexagon socket cap screws	M6×20	2	
11	520002	chain guide		1	
12	(F) M08BB58	hexagon nut	M8	2	
13	(F) LB08060B58	hexagon bolt	M8×60	2	
14	520009	chain adjuster slider		2	
15	LC08020B58	hexagon socket cap screws	M8×20	2	
16	LC06020A58	hexagon socket cap screws	M6×20	2	
17	PP061210	flat washer	φ6×φ12×1	2	
18	M12BC08	hexagon flange lock nut	M12×1.25	1	
19	LA12080B08	hexagon flange bolt	M12×1.25×80	1	
20	LC06016A58	hexagon socket cap screws	M6×16	4	
21	PP0618160	plain washers-large series-product grade c	φ6.6×φ18×1.6	4	
22	810001	clip nut	M6	1	
23	810417	rear fork fender		1	

ES1 PRO Parts Book



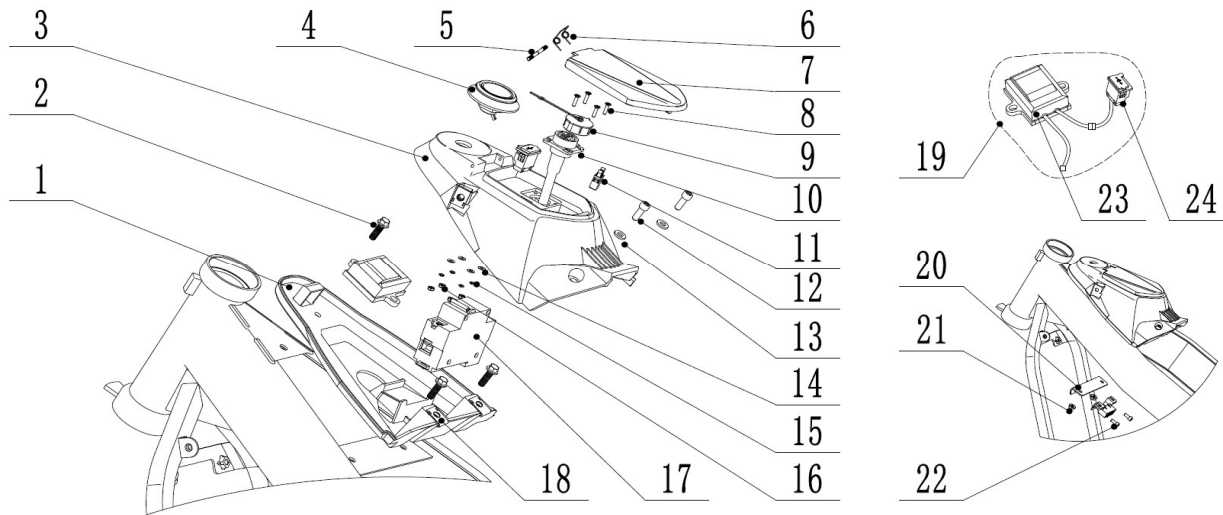
Serial NO.	Part No.	Part Name (EN)	Specifications and Models	PCS	Weight (Kg)
1	LC06016A58	hexagon socket cap screws	M6×16	8	
2	130001	controller radiating plate		1	
3	DM03-130100	controller	72352	1	
4	210300	side stand		1	
5	210303	bolt of side stand		1	
6	210302	side stand ignition switch		1	
7	SSP06145	cross slotted flat head screw	M6×14	1	
8	210306	spring hook of side stand		1	
9	210301.1	outer tention spring of side stand		1	
10	210301.2	inner tention spring of side stand		1	
11	SSC06302	cross recessed countersunk head screw	M6×30	2	
12	710200	seat lock plate		1	
13	710400	seat lock cable		1	
14	710300	seat lock		1	
15	SNH06125	hexagon flower type anti-theft screw	M6×12	2	
16	ZY30205.2	tapered roller bearing (TRB)	30205	1	
17	ZY30205.1	bearing pedestal	30205	1	
18	ZY32006.2	tapered roller bearing (TRB)	32006	1	
19	ZY32006.1	bearing pedestal	32006	1	

ES1 PRO Parts Book



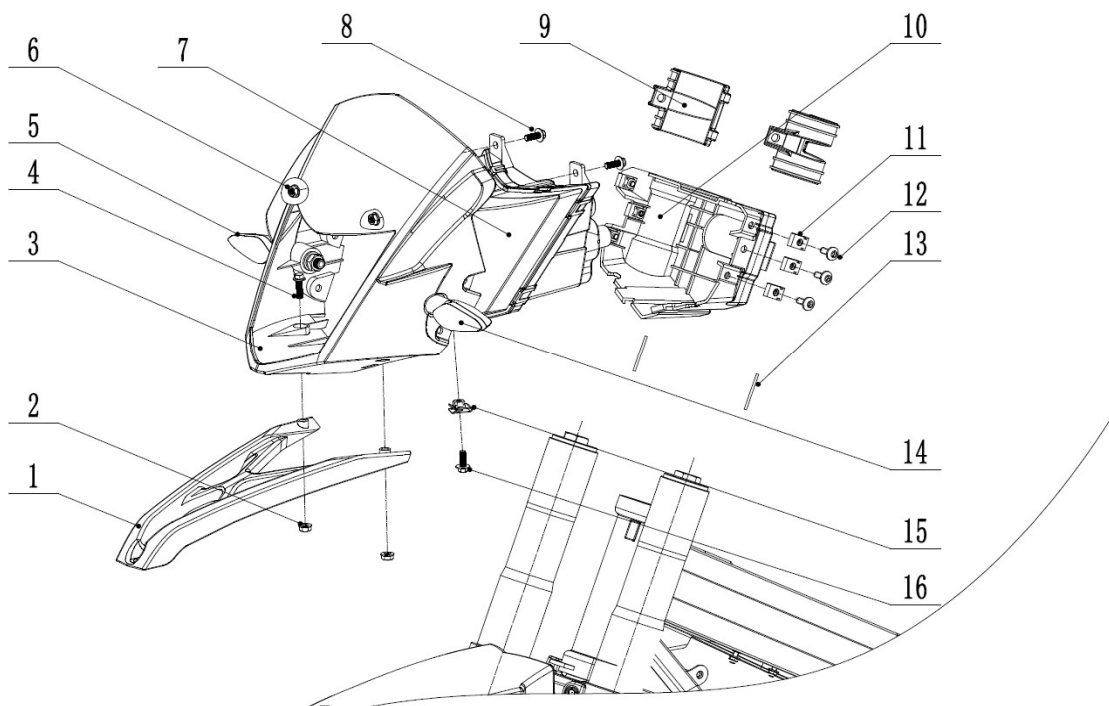
Serial NO.	Part No.	Part Name (EN)	Specifications and Models	PCS	Weight (Kg)
1	(F)M08BA38	hexagon flange bolt	M8	4	
2	730301	frame of left rear footrest		1	
3	730001	shaft pin	$\varnothing 8 \times 43$	2	
4	PP081613	flat washer	$\varnothing 8 \times \varnothing 16 \times 1$	2	
5	KK02163	split pin	$\varnothing 2 \times 16$	2	
6	730302	rear footrest, left		1	
7	730305	spring		2	
8	730303	cliper		2	
9	730304	steel ball		2	
10	LC08025B58	hexagon socket cap screws	M8 \times 25	4	
11	730100	front footrest, left		1	
12	730003	left torsion spring		1	
13	PP081613	flat washer	$\varnothing 8 \times \varnothing 16 \times 1$	2	
14	730001	shaft pin	$\varnothing 8 \times 43$	2	
15	KK02163	split pin	$\varnothing 2 \times 16$	2	
16	730004	right torsion spring		1	
17	730200	front footrest, right		1	
18	730401	the frame of right rear footrest		1	
19	730402	rear footrest, right		1	

ES1 PRO Parts Book



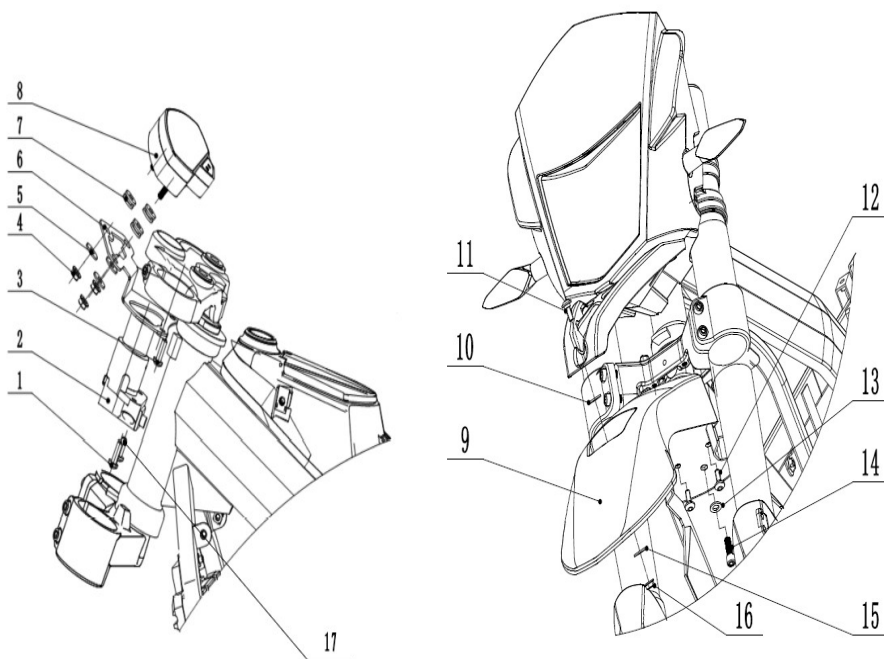
Serial NO.	Part No.	Part Name (EN)	Specifications and Models	PCS	Weight (Kg)
1	810301	charging hub bottom cover		1	
2	LA06020A08	hexagon flange bolt	M6×20 (军绿)	3	
3	810302A	charging hub front panel		1	
4	360802	start button		1	
5	810305	pin	φ3×50	1	
6	810306	torsion spring		1	
7	810303	charging cover		1	
8	SSC03125	cross recessed countersunk head screw	M3×12	4	
9	360002	waterproof cover (large)		1	
10	DM03-360103	charging extension cord		1	
11	810304	buckle of charging cover		1	
12	LC06016A58	hexagon socket head cap screws	M6×16	2	
13	PP0612160	flat washer	φ6×φ12×1.6	2	
14	PP0307055	flat washer	φ3	4	
15	PT035	spring washer	φ3	4	
16	M037B54	hexagon nut	M3	4	
17	360200	air switch		1	
18	810001	clip nut	M6	4	
19	360702	single USB hub	72V	1	
20	DM03-210002	OBD port mounting bracket		1	
21	M06AA08	hexagon flange nut	M6	2	
22	LC05012958	hexagon socket head cap screw	M5×12	2	
23	360702.1	single USB host		1	
24	360702.2	Single-port USB charging socket		1	

ES1 PRO Parts Book



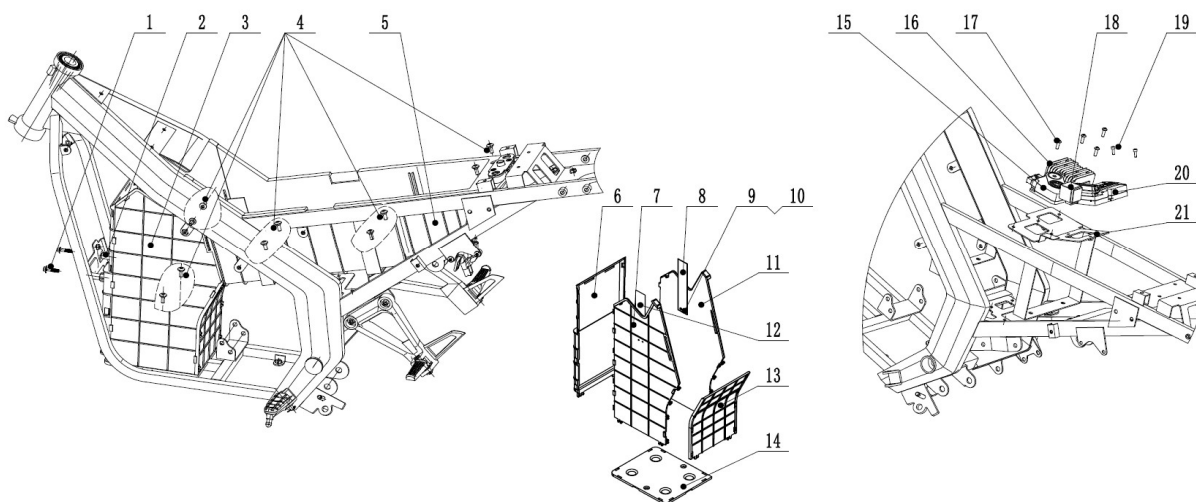
Serial NO.	Part No.	Part Name (EN)	Specifications and Models	PCS	weight (Kg)
1	810102-B	front fender (Black)		1	
	810102-W	front fender (White)		1	
2	M06AA08	hexagon flange nut	M6	2	
3	810103-B	headlight front cover (Black)		1	
	810103-W	headlight front cover (White)		1	
4	LA06020A08	hexagon flange bolt	M6×20	2	
5	320600	front right turn signal		1	
6	M06AA08	hexagon flange nut	M6	2	
7	310100	headlight	LED	1	
8	LA06016A08	hexagon flange bolt	M6×16	2	
9	810105	headlight back cover fixing sleeve		2	
10	810104	headlight back cover		1	
11	810001	clip nut	M6	6	
12	810002	hexagon socket head step screw	M6×16 不锈钢	6	
13	810106	pin	φ3×50	2	
14	320500	front left turn signal		1	
15	810001	clip nut	M6	1	
16	LA06016A08	hexagon flange bolt	M6×16	1	

ES1 PRO Parts Book



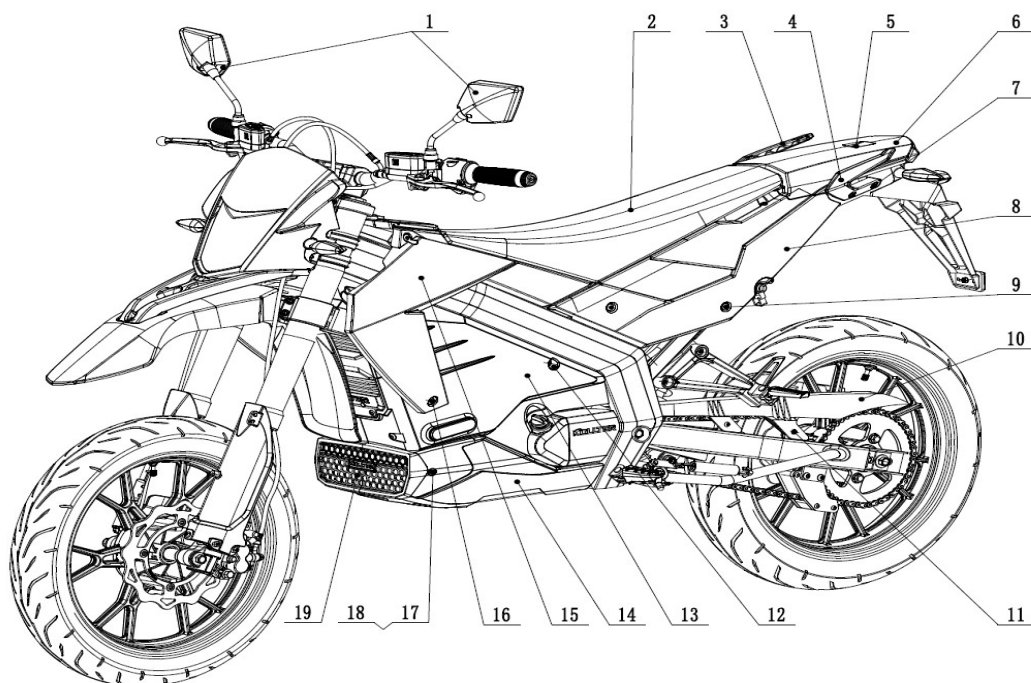
Serial NO.	Part No.	Part Name (EN)	Specifications and Models	PCS	Weight (Kg)
1	SNH06205	hexagon flower type anti-theft screw	M6×20	1	
2	360500	ignition switch		1	
3	SNH06125	hexagon flower type anti-theft screw	M6×12	1	
4	M06AA08	hexagon flange nut	M6	3	
5	PP0618160	flat washer	φ6	3	
6	350001	instrument panel (meter) mounting		1	
7	350002	buffer ring		3	
8	DM03-350100	instrument panel ASSY		1	
9	810101-B	front fender (Black)		1	
	810101-W	front fender (White)		1	
10	PP0618160	flat washer	φ6×18×1.6	1	
11	810002	hexagon socket head step screw	M6×16	1	
12	810002	hexagon socket head step screw	M6×16	2	
13	PP0816165	flat washer	φ8×16×1.6	1	
14	LC08016B58	hexagon socket head cap screw	M8×16	1	
15	PP0618160	flat washer	φ6×18×1.6	1	
16	M06AA38	hexagon flange nut	M6	1	
17	SNH06165	hexagon flower type anti-theft screw	M6×16	1	

ES1 PRO Parts Book



Serial NO.	Part No.	Part Name (EN)	Specifications and Models	PCS	Weight (Kg)
1	LA06035A08	hexagon flange bolt	M6×35	2	
2	810207	battery compartment bushing	φ10×φ6×25	2	
3	810210	front battery compartment		1	
4	810002	hexagon socket head step screw	M6×16	10	
5	810206	compartment for 2nd battery		1	
6	810202	battery compartment front panel		1	
7	810204	battery compartment left side panel		1	
8	810209	Loop face Velcro		1	
9	PP0409085	flat washer	φ4×φ9×0.8	4	
10	RRC0412	Open End Blind Rivets With Break Pull Mandrel And Protruding Head	4x12	4	
11	810205	battery compartment right side panel		1	
12	810208	Hook face Velcro		1	
13	810203	battery compartment back panel		1	
14	810201	battery compartment bottompanel		1	
15	DM03-360801	anti-theft device	24V	1	
16	360600	voltage converter		1	
17	SSP05165	cross recessed pan head screw	M5×16	4	
18	360300	flasher		1	
19	LC04012858	hexagon socket cap screws	M4×12	2	
20	DM03-380100	center control		1	
21	DM03-210001	Electrical installation bracket		1	

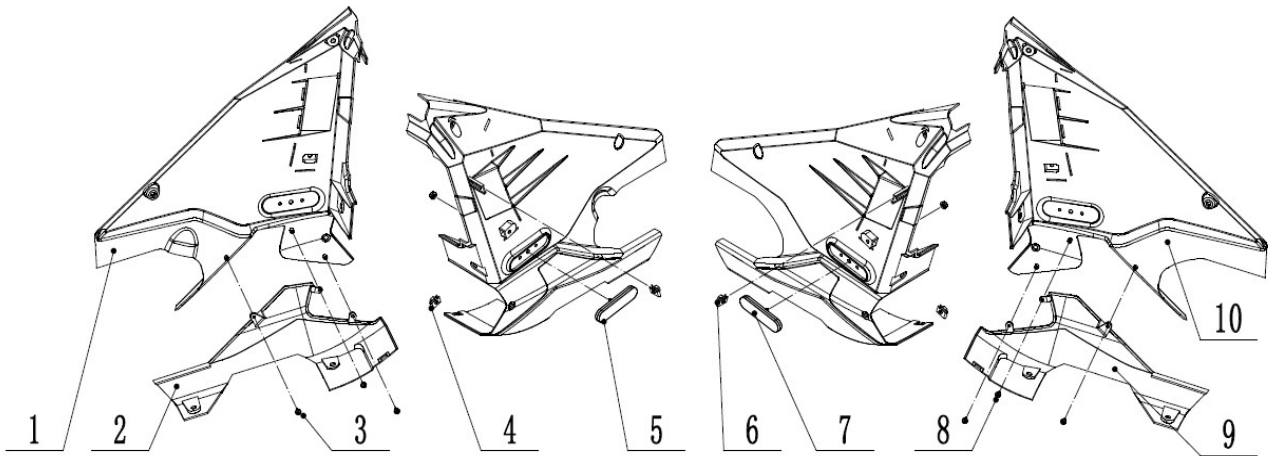
ES1 PRO Parts Book



Serial NO.	Part No.	Part Name (EN)	Specifications and Models	PCS	Weight (Kg)
1	820000	rear view mirror		2	
2	710100	seat		1	
3	720200	right armrest		1	
4	720100	left armrest		1	
5	810002	hexagon socket head step screw	M6×16	3	
6	810413-B	tail cover (Black)		1	
	810413-W	tail cover (White)		1	
7	LC08025B58	Hexagon socket head cap screw	M8×25	4	
8	810411-B	rear cover, left (Black)		1	
	810411-W	rear cover, left (White)		1	
9	810002	hexagon socket head step screw	M6×16	4	
10	810416	Plastic chain cover		1	
11	SSP06145	cross recessed pan head screw	M6×14	2	
12	810002	hexagon socket head step screw	M6×16	3	
13	810403	left inner guard plate		1	
14	810405-B	left side cover of bottom cover (Black)		1	
	810405-W	left side cover of bottom cover (White)		1	
15	810401-B	left guard plate (Black)		1	
	810401-W	left guard plate (White)		1	
16	810002	hexagon socket head step screw	M6×16	3	
17	810002	hexagon socket head step screw	M6×16	2	

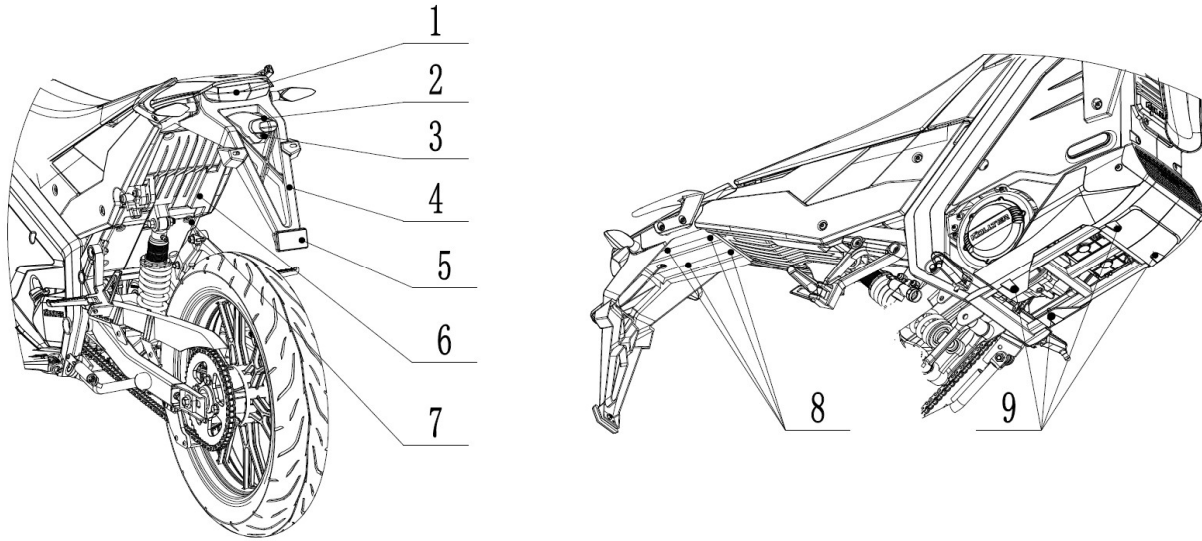
18	810001	clip nut	M6	2	
19	810407-B	front cover of bottom cover (Black)		1	
	810407-W	front cover of bottom cover (White)		1	

ES1 PRO Parts Book



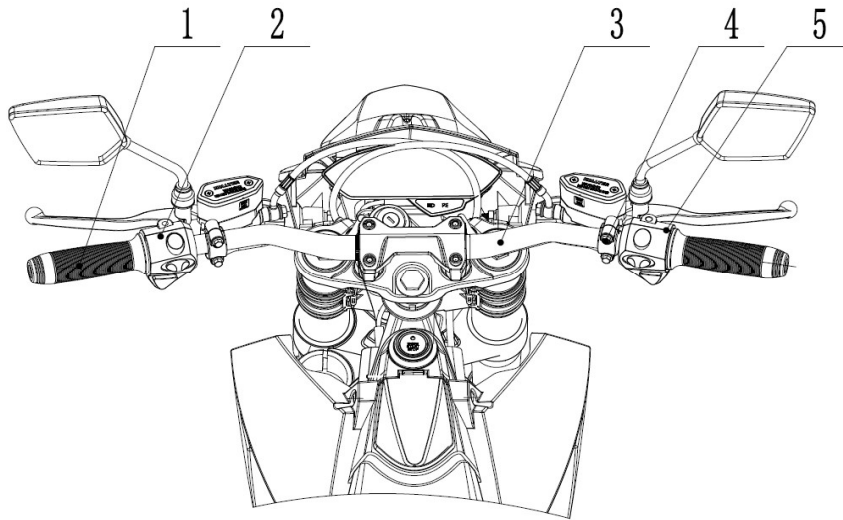
Serial NO.	Part No.	Part Name (EN)	Specifications and Models	PCS	Weight (Kg)
1	810404	right inner guard plate		1	
2	810406-B	right side cover of bottom cover (Black)		1	
	810406-W	right side cover of bottom cover (White)		1	
3	SSD4295F3	cross recessed pan head screw with pad self tapping	ST4.2×9.5F	3	
4	810001	clip nut	M6	2	
5	830100	side reflector	KM206	1	
6	810001	clip nut	M6	2	
7	830100	side reflector	KM206	1	
8	SSD4295F3	cross recessed pan head screw with pad self tapping	ST4.2×9.5F	3	
9	810405-B	left side cover of bottom cover (Black)		1	
	810405-W	left side cover of bottom cover (White)		1	
10	810403	left inner guard plate		1	

ES1 PRO Parts Book



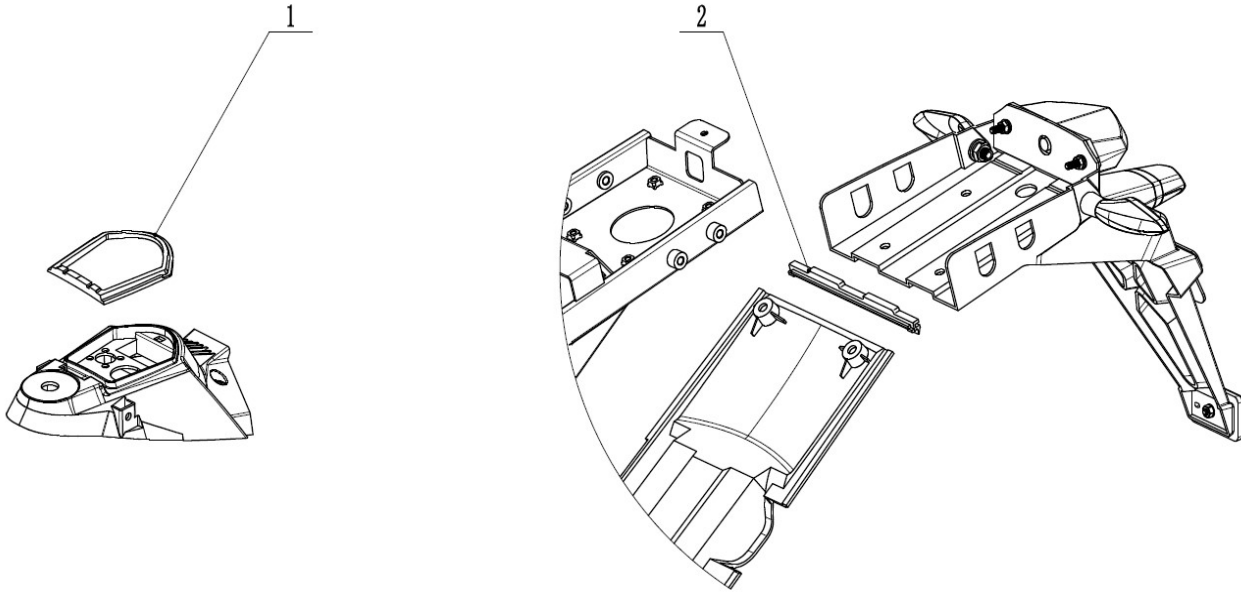
Serial NO.	Part No.	Part Name (EN)	Specifications and Models	PCS	Weight (Kg)
1	330100	rear tail light		1	
2	340100	licese plate light		1	
3	SSD4295F3	cross recessed pan head screw with pad self tapping		3	
4	810418	license plate bracket		1	
5	830200	Rear reflector	KM201	1	
6	810414	rear bottom cover		1	
7	810002	hexagon socket head step screw	M6×16	6	
8	810002	hexagon socket head step screw	M6×16	4	
9	810002	hexagon socket head step screw	M6×16	4	

ES1 PRO Parts Book



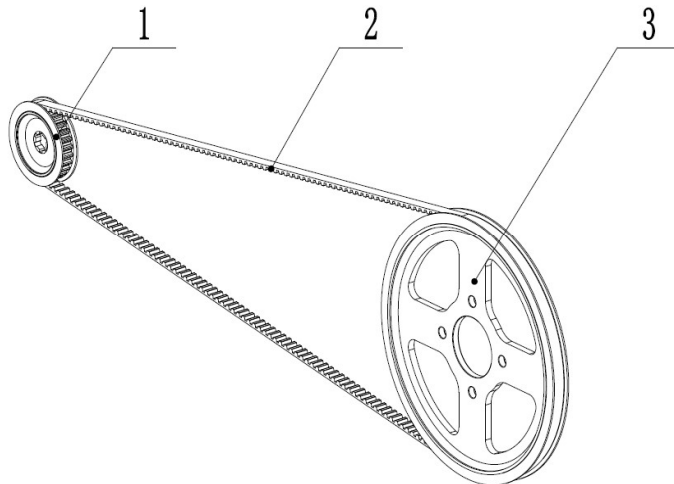
Serial NO.	Part No.	Part Name (EN)	Specifications and Models	PCS	Weight (Kg)
1	620002	left grip handle		1	
2	620100	left operation switch		1	
3	620001	handlebar		1	
4	LA06016A08	hexagon flange bolt	M6×16	4	
5	620200	right operation switch		1	

ES1 PRO Parts Book



Serial NO.	Part No.	Part Name (EN)	Specifications and Models	PCS	Weight (Kg)
1	810308	charging base waterproof gasket		1	
2	810419	rear bottom cover waterproof strip		1	

ES1 PRO Parts Book



Serial NO.	Part No.	Part Name (EN)	Specifications and Models	PCS	Weight (Kg)
------------	----------	----------------	---------------------------	-----	-------------

1	DM03-470101	small belt wheel		1	
2	DM03-470103	driving belt		1	
3	DM03-470102	large belt wheel		1	