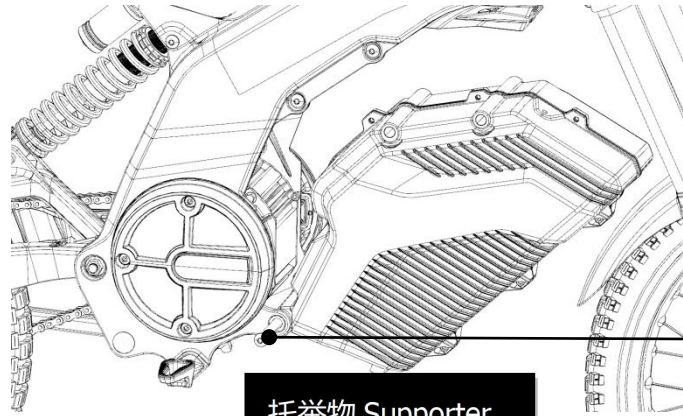


F80 电池装配说明

F80 battery assemble instructions

1、移动电池组，安装电池轴 3 (30KG) /Move the battery pack and install the battery axle 3 (30kg).

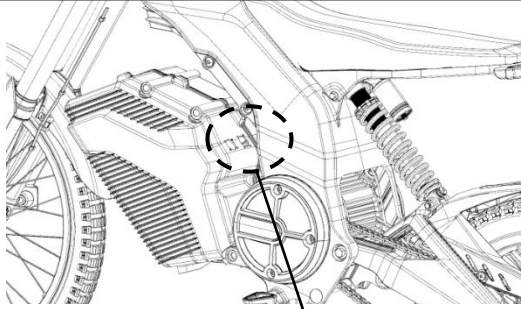


托举物 Supporter

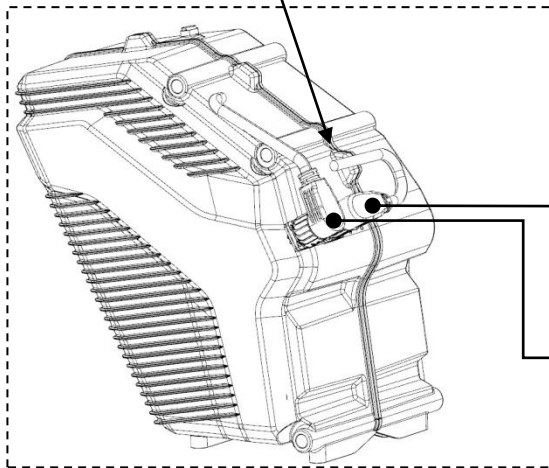
step 1: 托举移动电池组到合适位置
Move the battery pack to the proper position.

step 2: 预安装电池轴 3
Fix the axle 3

2、安装电源线 Assemble the power cable.



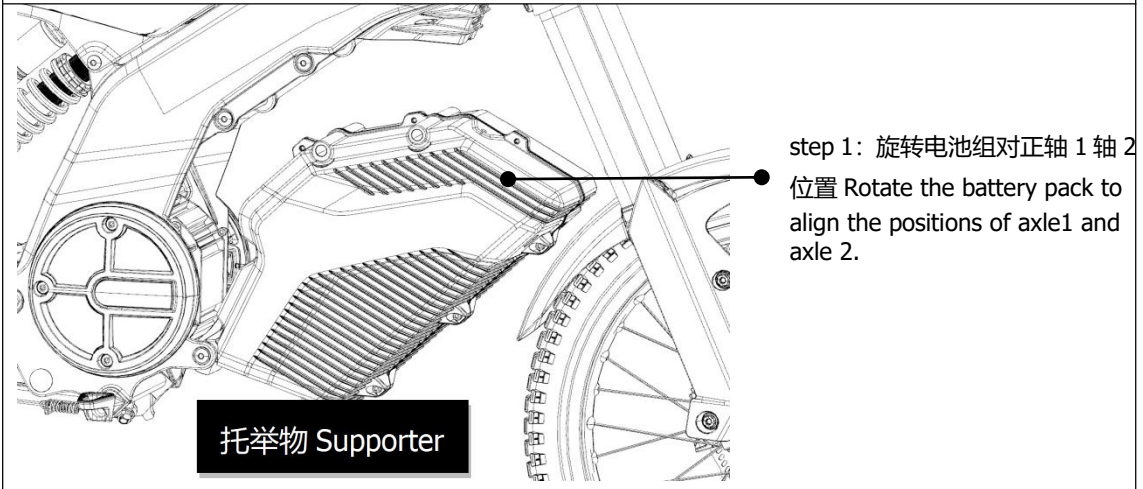
人位置在车身左侧
Please stand on the left side of the motorcycle



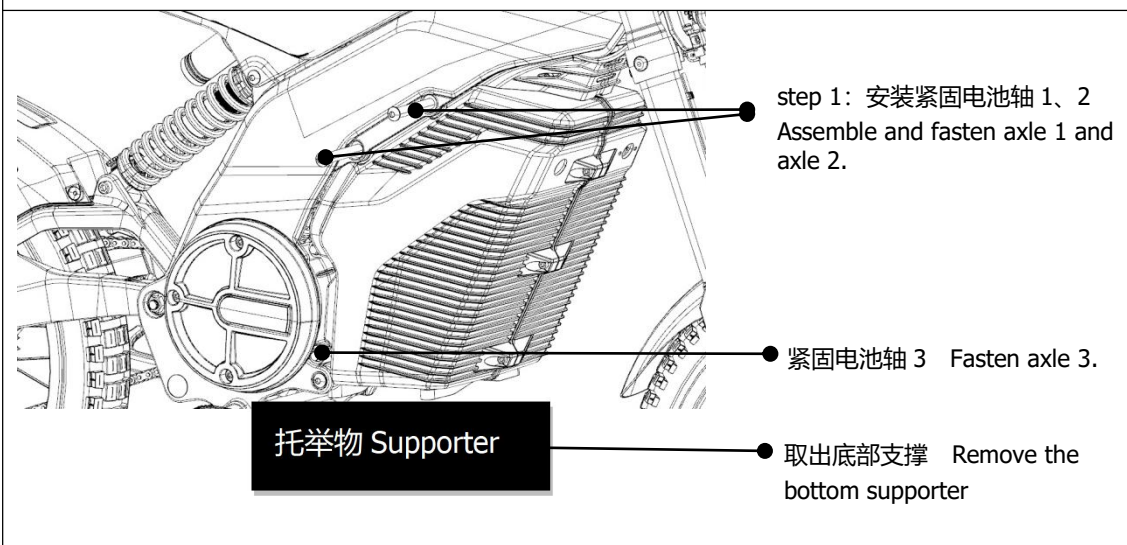
● step 1: 安装正极电源
Assemble the positive pole power source.

● ● step 2: 安装负极电源
Assemble the negative pole power source.

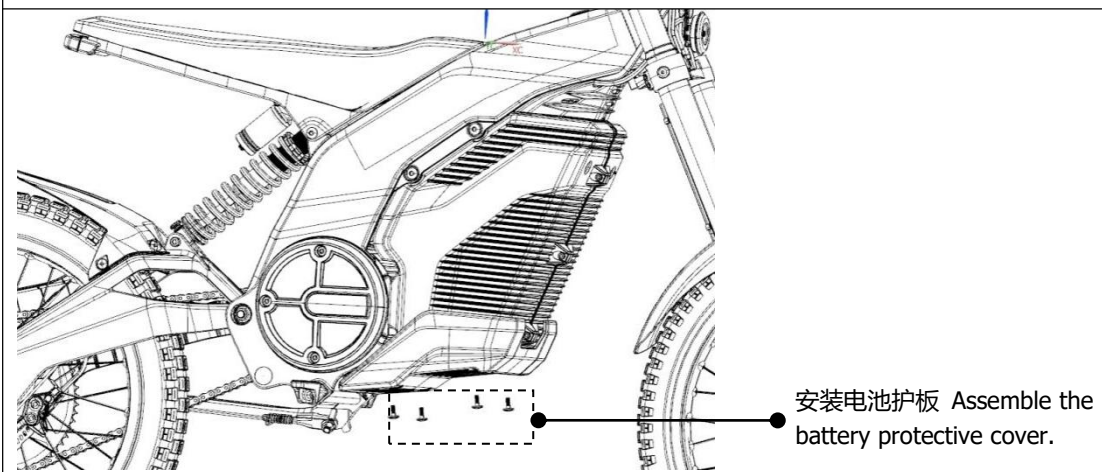
3、旋转电池组.Rotate battery pack.



4、底部支撑, 安装电池轴 1、轴 2; 紧固电池轴 3 /Hold the bottom with supporter, install axle 1 and axle 2, fasten axle 3.



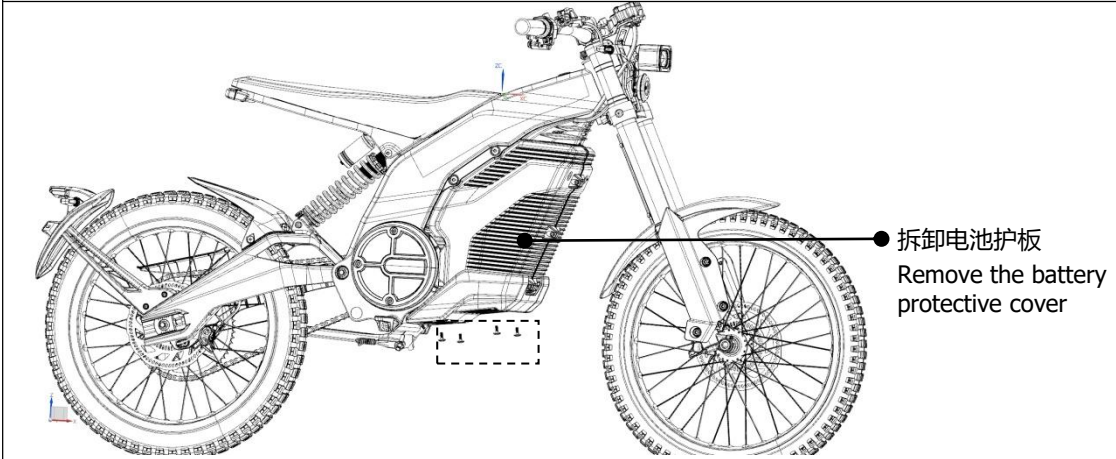
5、安装电池护板/assemble the battery protective cover.



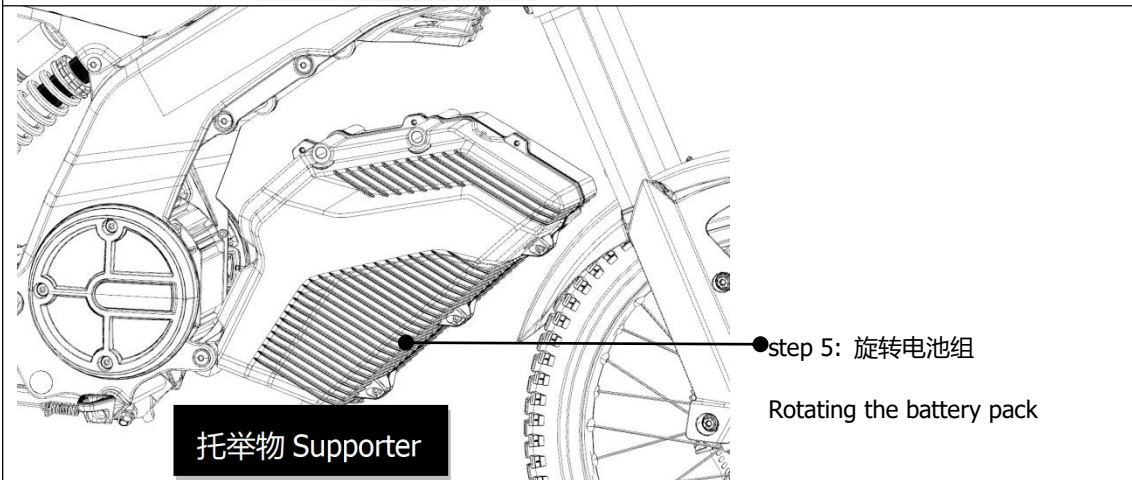
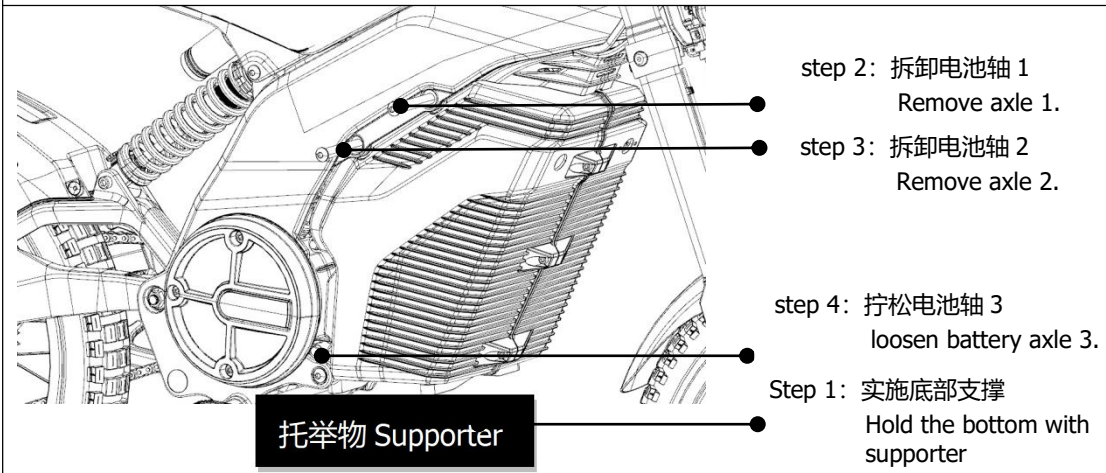
F80 电池拆卸说明

F80 Battery Removal Instructions

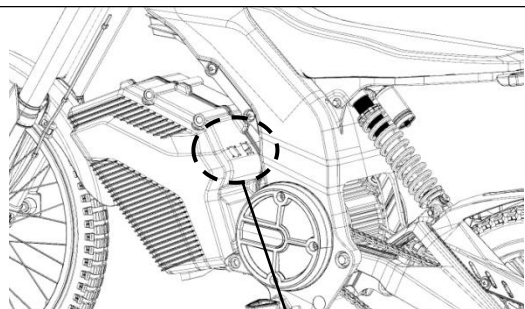
1、拆卸电池护板/Remove the battery protective cover



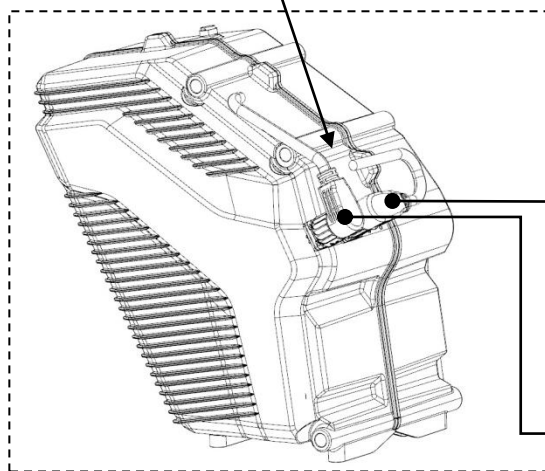
2、底部支撑, 拆卸电池轴 1、轴 2; 拧松电池轴 3; 旋转电池组; /Hold the bottom with supporter, remove battery axle 1 and axle2, loosen the battery axle3, rotating battery pack.



3、拆卸电源线/Remove the power cable.



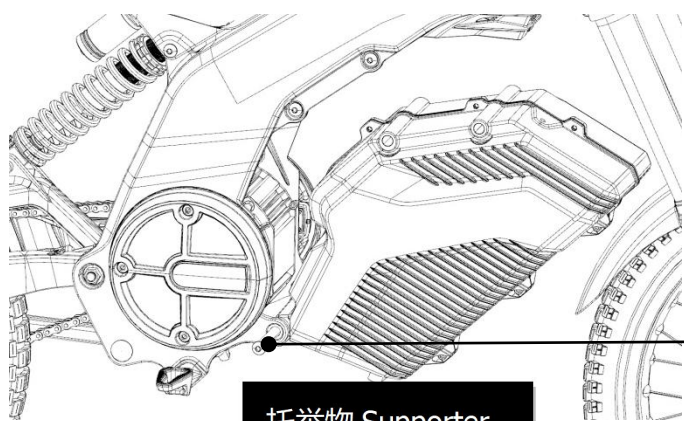
人位置在车身左侧
Please stand on the left side of the motorcycle.



● step2: 拆卸正极电源
Remove the positive pole power source.

● step1: 拆卸负极电源
Remove the negative pole power source.

4、拆卸电池轴 3, 取出电池组 (30KG) /Remove the battery axle 3 and take out the battery pack (30kg).



Step 1: 拆卸电池轴 3
Remove the axle 3.

Step 2: 取出电池组
Take out the battery pack.